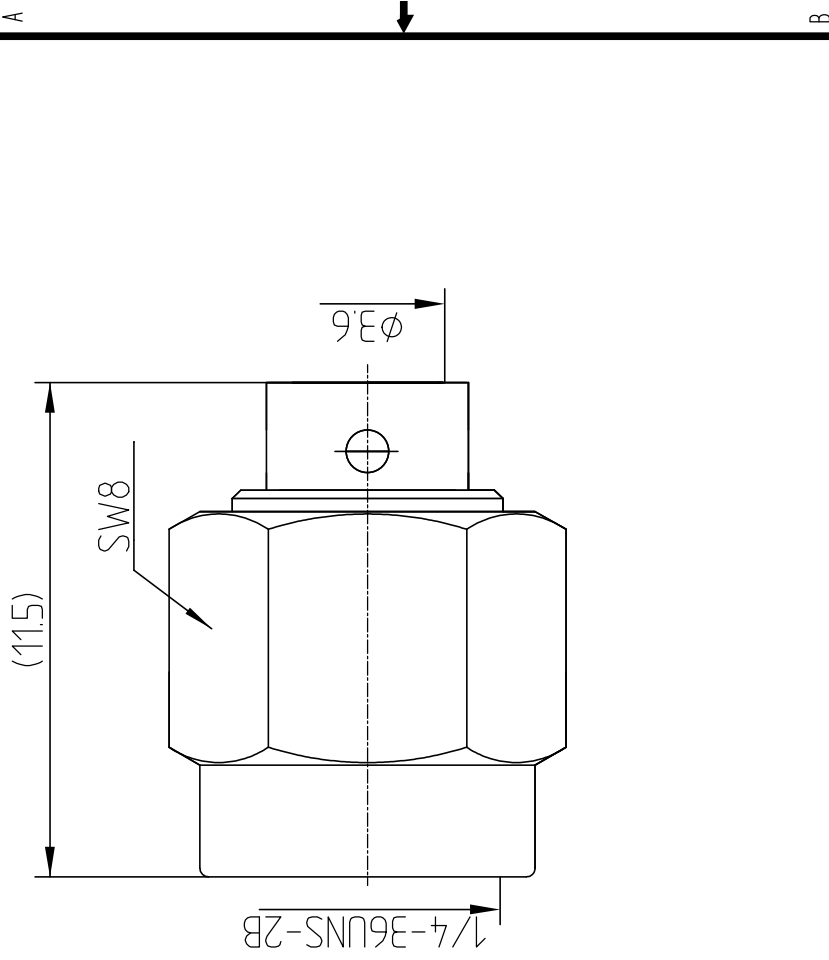


This document contains proprietary information and such information may not be disclosed to others for any purposes, not used for sales/marketing/procurement purposes without written permission

1. Electrical
 - 1.1 Impedence: 50 Ω
 - 1.2 Frequency: DC ~6GHz
 - 1.3 Dielectric withstanding voltage: 1000V (volts RMS)
 - 1.4 Center contact resistance: ≤ 3M Ω
 - 1.5 Outer contact resistance: ≤ 2M Ω
 - 1.6 Insulation resistance: ≥ 5000M Ω
 - 1.7 VSWR: 1.20:1

2. Environmental & Mechanical
 - 2.1 Temperature range: -45 °C ~ +125 °C
 - 2.2 RoHS Compliant
 - 2.3 Durability: > 500 cycles

3. Materials & plating
 - 3.1 Body: Brass; gold-plated
 - 3.2 Insulator: Teflon
 - 3.3 Contact Pin: Brass, gold plated
 - 3.4 Nut: Brass, gold Plated
 - 3.5 Gasket: Silicon Rubber (red color)



REV	DESCRIPTION OF REVISION	ECN NO.	BY	DATE	APPROVED
A	Initial Release		T.HoYun	25/03/07	25/03/07

DRAWN: T.HoYun 25/03/07	TITLE: RF Coaxial Connector		www.rf-connector-china.com	
ENGINEER: C.Tao 25/03/07	SMA Male Conn. for .141/RG402 Cable		DIMENSION IN MILLIMETERS (mm)	
APPROVED: W.Qiang 25/03/07	PART NO: SMA-JB3A		SCALE: N/A	SHEET: 1/1
TOLERANCES UNLESS OTHERWISE SPECIFIED		SIZE: A4	REV: A	
X ±0.50				
.X ±0.20				
.XX ±0.10				
ANGLES ±1°				

Notes:

1. ALL SPECIFICATIONS ARE SUBJECT TO CHANGE NOTICE AT ANY TIME

2. CUSTOMER OUTLINE DRAWING FOR REFERENCE ONLY