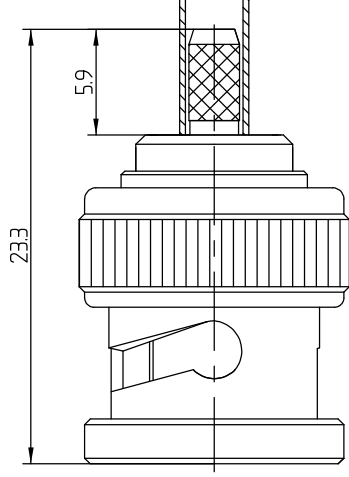


This document contains proprietary information and such information may not be disclosed to others for any purposes, not used for sales/marketing/procurement purposes without written permission

- 1 Electrical
 - 1.1 Impedence 50 Ω
 - 1.2 Frequency DC-4GHz
 - 1.3 VSWR 1.25:1
- 2 Environmental&Mechanical
 - 2.1 Temperature range -45 $^{\circ}$ C~85 $^{\circ}$ C
 - 2.2 RoHs Compliant
 - 2.3 Durability >500 cycles
- 3 Materials&plating
 - 3.1 Body: Brass, Nickel plated
 - 3.2 Insulator: Teflon
 - 3.3 Contact Pin: Brass, Gold plated
 - 3.4 Nut: Brass, nickel plated
 - 3.5 Washer: Bronze, nickel plated
 - 3.5 O-ring: Silicon rubber(red color)



Notes:

1. ALL SPECIFICATIONS ARE SUBJECT TO CHANGE NOTICE AT ANY TIME
2. CUSTOMER OUTLINE DRAWING FOR REFERENCE ONLY

REV	DESCRIPTION OF REVISION	ECN NO.	BY	DATE	APPROVED
A	Initial Release		T. Shibus	18/09/13	18/09/13

DRAWN: T. Shibus 18/09/13
ENGINEER: C. Taw 18/09/13
APPROVED: H. Qing 18/09/13
TOLERANCES UNLESS OTHERWISE SPECIFIED X ±0.50 .X ±0.20 .XX ±0.10 ANGLES ±1°

TITLE:	
RF Coaxial Connector	www.terulai.com
BNC Male Conn. for RG316 Cable	DIMENSION IN MILLIMETERS (mm)
PART NO: BNC-194-F	SCALE: N/A
SIZE: A4	SHEET: 1/1
REV:	REF: A

