

This document contains proprietary information and such information may not be disclosed to others for any purposes, not used for sales/marketing/procurement purposes without written permission

1 Electrical

- 1.1 Impedance: 50Ω
- 1.2 Frequency: DC-30GHz
- 1.3 VSWR: 1.30:1
- 1.4 Insertion Loss: $0.3dB$ max

2 Mechanical&Environmental

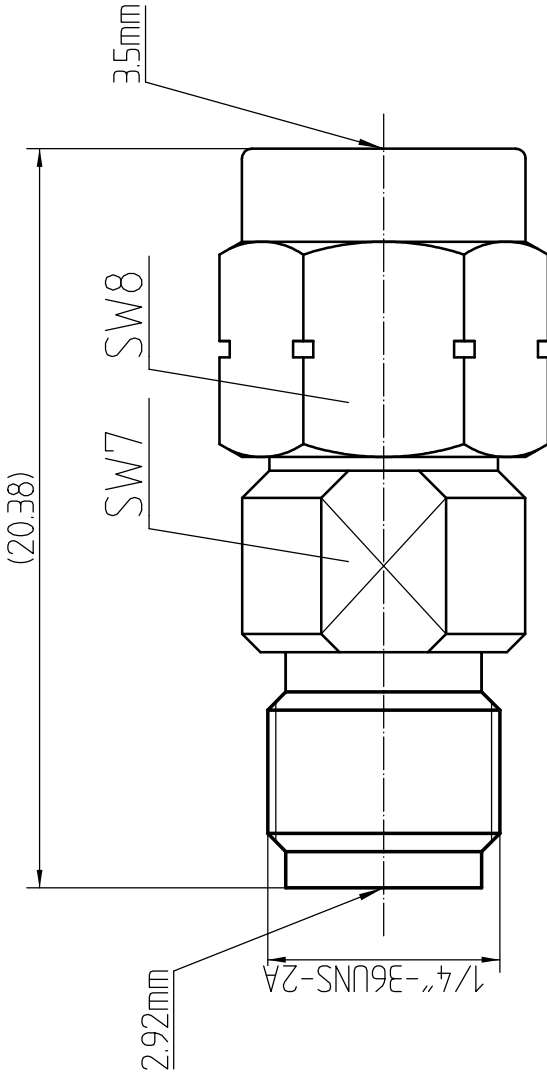
- 2.1 Temperature range $-55^{\circ}C \sim +125^{\circ}C$
- 2.2 Durability(matings) >500
- 2.3 RoHs Compliant Yes

3 Material&Finish

- 3.1 Pin contact: Beryllium-Copper, gold plated
- 3.2 Body: Stainless Steel(SU303), Passivated
- 3.3 Insulators: PEI

4 Interface Standards

- 4.1 2.92 MIL-STD-348A
- 4.2 3.5 MIL-STD-348A



Notes:

- 1. ALL SPECIFICATIONS ARE SUBJECT TO CHANGE NOTICE AT ANY TIME
- 2. CUSTOMER OUTLINE DRAWING FOR REFERENCE ONLY

REV	DESCRIPTION OF REVISION	ECN NO.	BY	DATE	APPROVED
A	Initial Release		T. Shihua	1/8/14	1/8/14

DRAWN: T. Shihua 1/8/14		TITLE: Precision Adapter	
ENGINEER: C. Tao 1/8/14		www.rf-conector-china.com	
APPROVED: W. Qiang 1/8/14		DIMENSION IN MILLIMETERS (mm)	
TOLERANCES UNLESS OTHERWISE SPECIFIED		SCALE: N/A	
X	+0.50	A4	SHEET: 1/1
.X	+0.20	A4	REV: A
.XX	+0.10	A4	REV: A
ANGLES	*°	A4	REV: A
PART NO: 2.92/3.5-KUG		SIZE: A4	