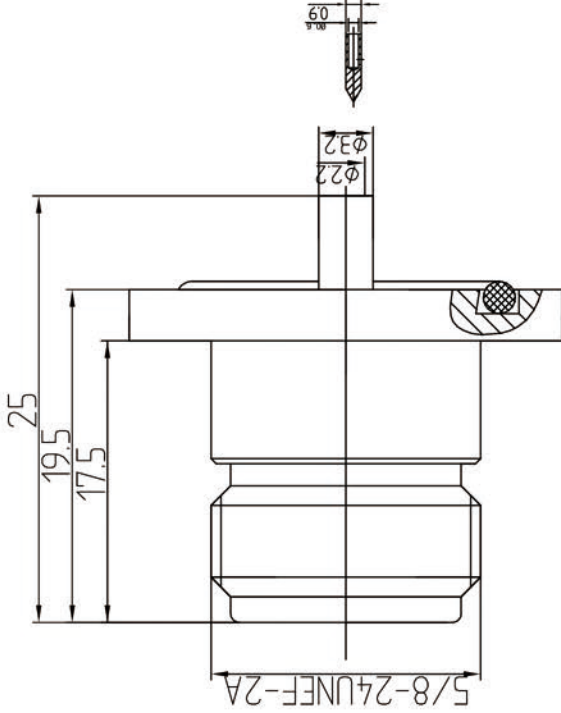


This document contains proprietary information and such information may not be disclosed to others for any purposes, not used for sales/marketing/procurement purposes without written permission

REV	DESCRIPTION OF REVISION	ECN NO.	BY	DATE	APPROVED
A	Initial Release		T. Shihua	07/04/16	07/04/16



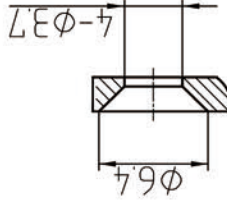
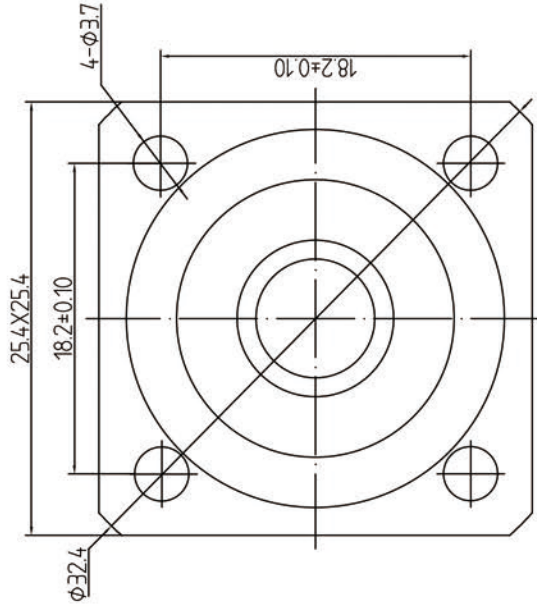
- 1 Electrical
 - 1.1 Impedance 50 Ω
 - 1.2 Frequency DC~6GHz
 - 1.3 Dielectric withstanding voltage 1500V(1valts RMS)
 - 1.4 Center contact resistance $\leq 1M\Omega$
 - 1.5 Outer contact resistance $\leq 0.2M\Omega$
 - 1.6 Insulation resistance: $\geq 5000M\Omega$
 - 1.7 VSWR 1.3:1

2 Environmental & Mechanical

- 2.1 Temperature range -45°C~125°C
- 2.2 RoHS Compliant
- 2.3 Durability >500 cycles

3 Materials & plating

- 3.1 Body: Brass, nickel plated
- 3.2 Insulator: Teflon
- 3.3 Contact Pin: Brass, Gold plated
- 3.4 O-Ring: Silicon Rubber



DRAWN: T. Shihua 07/04/16
 ENGINEER: C. Tao 07/04/16
 APPROVED: W. Qiang 07/04/16

TITLE:
 RF Coaxial Connector
 N female Flange Conn. For .086
 Cable

www.rf-connector-china.com
DIMENSION IN MILLIMETERS (mm)
SCALE: A4 N/A 1/1
SHEET: 1/1
REV: A

Notes:

1. ALL SPECIFICATIONS ARE SUBJECT TO CHANGE NOTICE AT ANY TIME
2. CUSTOMER OUTLINE DRAWING FOR REFERENCE ONLY