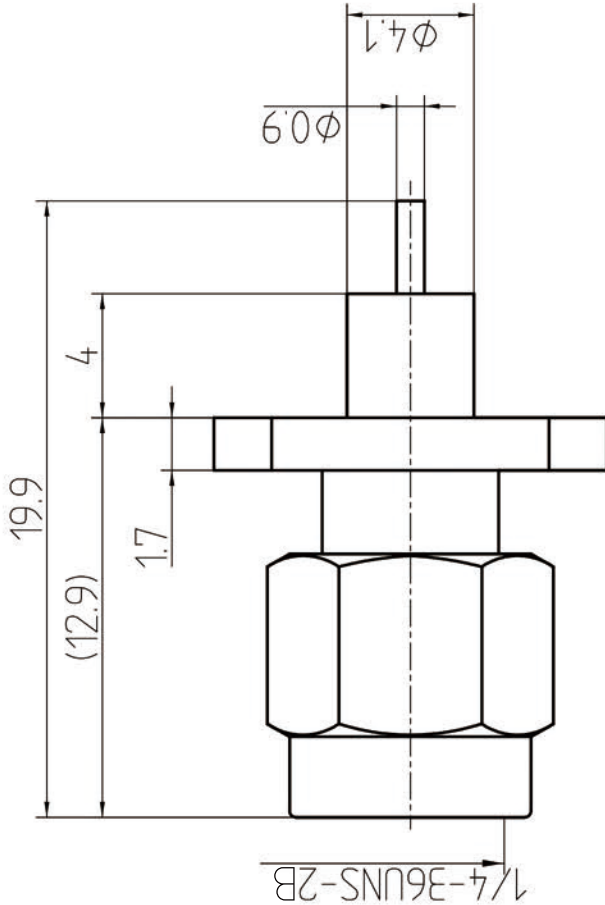
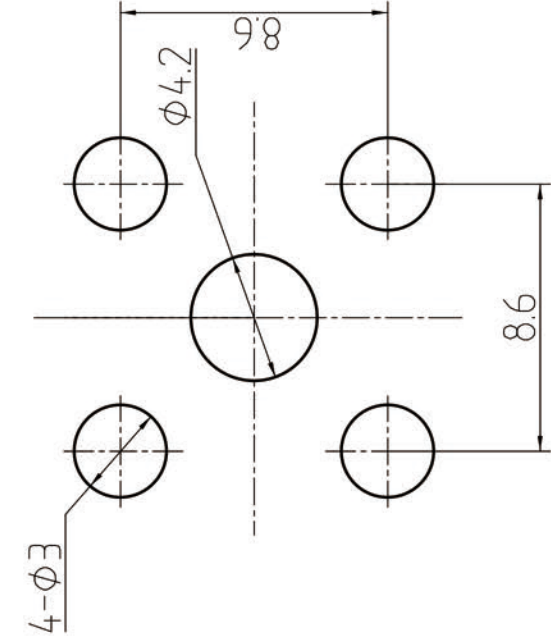


This document contains proprietary information and such information may not be disclosed to others for any purposes, not used for sales/marketing/procurement purposes without written permission

REV	DESCRIPTION OF REVISION	ECN NO.	BY	DATE	APPROVED
A	Initial Release		T. Haiyun	5/11/14	5/11/14

Mounting Hole



- 1 Electrical
 - 1.1 Impedance 50 Ω
 - 1.2 Frequency 0~6GHz
 - 1.2 Dielectric withstanding voltage 1000V (volts RMS)
 - 1.3 Center contact resistance ≤ 3MΩ
 - 1.4 Outer contact resistance ≤ 2MΩ
 - 1.5 Insulation resistance: ≥ 5000MΩ
 - 1.6 VSWR 1.2:1

- 2 Environmental&Mechanical
 - 2.1 Temperature range -45°C~85°C
 - 2.2 RoHs Compliant YES
 - 2.3 Durability >500 cycles

- 3 Materials&plating
 - 3.1 Body: Brass; Gold, plated
 - 3.2 Insulator: Teflon
 - 3.3 Contact Pin: Brass; Gold plated

Notes:

1. ALL SPECIFICATIONS ARE SUBJECT TO CHANGE NOTICE AT ANY TIME
2. CUSTOMER OUTLINE DRAWING FOR REFERENCE ONLY

DRAWN :	T. Haiyun 5/11/14
ENGINEER:	C. Tao 5/11/14
APPROVED :	W. Qiang 5/11/14
TOLERANCES UNLESS OTHERWISE SPECIFIED	X +0.50
	XX +0.20
	XXX +0.10
ANGLES	≠°

TITLE:

RF Coaxial Connector
SMA male Terminal
Flange Connector



www.terubi.com



DIMENSION IN MILLIMETERS (mm)

PART NO:	SMA-JFD11	SCALE:	N/A	SHEET:	1/1	RF:	A
SIZE:	A4						