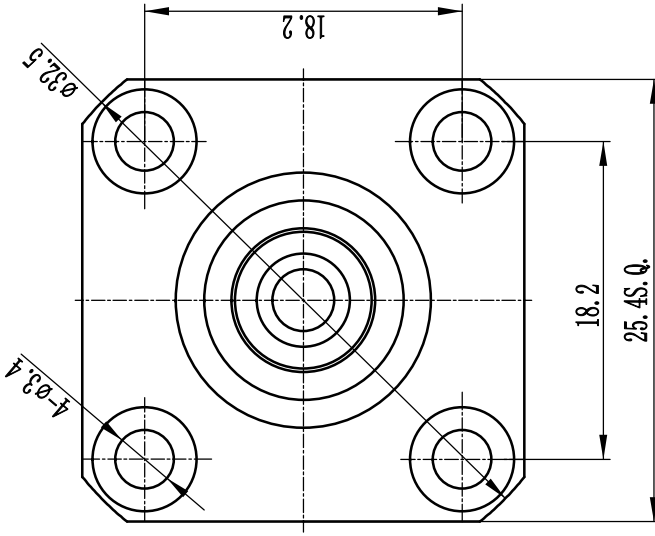
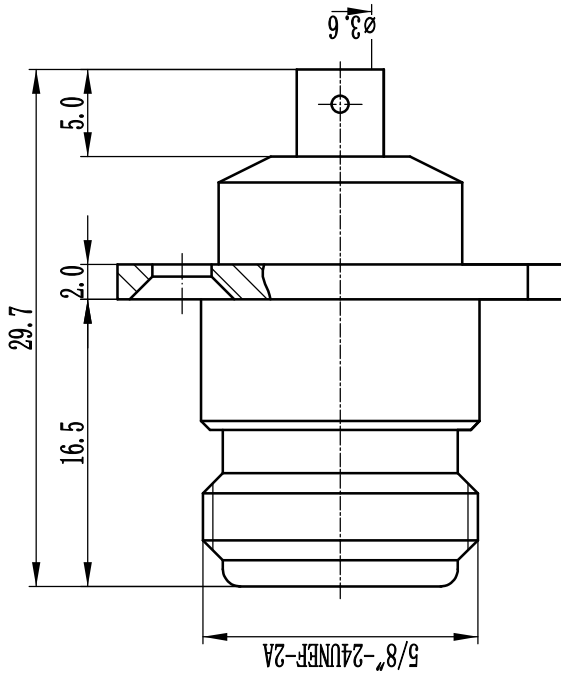


This document contains proprietary information and such information may not be disclosed to others for any purposes, not used for sales/marketing/procurement purposes without written permission

REV	DESCRIPTION OF REVISION	ECN NO.	BY	DATE	APPROVED
A	Initial Release		T. Shihua	8/05/14	8/05/14
B	New Release		T. Shihua	13/05/14	13/05/14



1. Electrical
  - 1.1 Impedance 50 Ω
  - 1.2 Frequency DC-6GHz
  - 1.3 Dielectric withstanding voltage 1500V (volts RMS)
  - 1.4 Center contact resistance  $\leq 1m\Omega$
  - 1.5 Outer contact resistance  $\leq 0.2m\Omega$
  - 1.6 Insulation resistance:  $\geq 5000M\Omega$
  - 1.7 VSWR 1.30:1

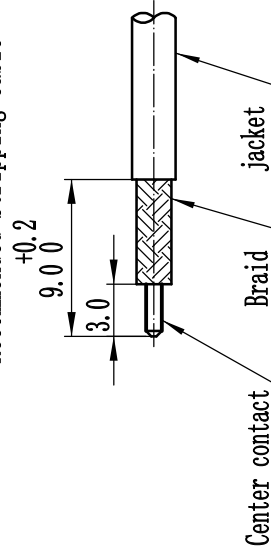
2. Environmental & Mechanical

- 2.1 Temperature range -45°C ~ 85°C
- 2.2 RoHS Compliant
- 2.3 Durability >500 cycles

3. Materials & Finish

- 3.1 Body: Brass, Nickel plated
- 3.2 Insulator: Teflon
- 3.3 Contact Pin: Bronze, silver plated

Recommended Stripping Cable



Notes:

1. ALL SPECIFICATIONS ARE SUBJECT TO CHANGE NOTICE AT ANY TIME
2. CUSTOMER OUTLINE DRAWING FOR REFERENCE ONLY

DRAWN: T. Shihua 8/05/14

ENGINEER: C. Tao 8/05/14

APPROVED: W. Qiang 8/05/14

TOLERANCES UNLESS OTHERWISE SPECIFIED

X	±0.50
.X	±0.20
.XX	±0.10
ANGLES	±1°

TITLE: RF Coaxial Connector

N Female Flange Connector  
For 141/RG402 Cable

PART NO: N-KFB3T



www.rfconnector.china.com



DIMENSION IN MILLIMETERS (mm)

SIZE: A4

SCALE: N/M

SHEET: 1/1

REV: B