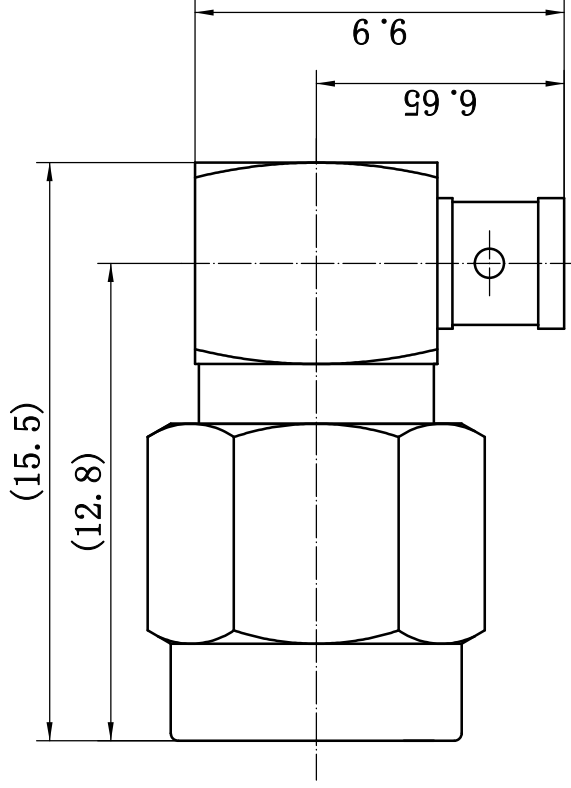


This document contains proprietary information and such information may not be disclosed to others for any purposes, not used for sales/marketing/procurement purposes without written permission

- 1 Electrical
 - 1.1 Impedence 50 Ω
 - 1.2 Frequency DC~6Ghz
 - 1.3 VSWR 1.20:1
- 2 Environmental&Mechanical
 - 2.1 Temperature range -45°C~125°C
 - 2.2 RoHs Compliant
 - 2.3 Durability >500 cycles
- 3 Materials&plating
 - 3.1 Body: Brass, Gold Plated
 - 3.2 Insulator: Teflon
 - 3.3 Contact Pin: Brass,, Gold Plated
 - 3.4 Nut: Brass, Gold Plated
 - 3.5 Gasket: Silicon Rubber
 - 3.6 C Ring: Beryllium-copper, nickel Plated



REV	DESCRIPTION OF REVISION	ECN NO.	BY	DATE	APPROVED
A	Initial Release		T. Shihua	12/7/13	12/7/13

Notes:

- 1. ALL SPECIFICATIONS ARE SUBJECT TO CHANGE NOTICE AT ANY TIME
- 2. CUSTOMER OUTLINE DRAWING FOR REFERENCE ONLY

DRAWN: T. Shihua 12/07/13
ENGINEER: C. Tao 12/07/13
APPROVED: W. Qiang 12/07/13
TOLERANCES UNLESS OTHERWISE SPECIFIED
X ±0.50
.X ±0.20
.XX ±0.10
ANGLES ±1°

TITLE:
RF Coaxial Connector
SMA Male R/A Conn. For .086
Cable



www.tenulial.com



DIMENSION IN MILLIMETERS (mm)

PART NO: SMA-JWB2-F	SCALE: N/A	SHEET: 1/1	REV: A
---------------------	------------	------------	--------