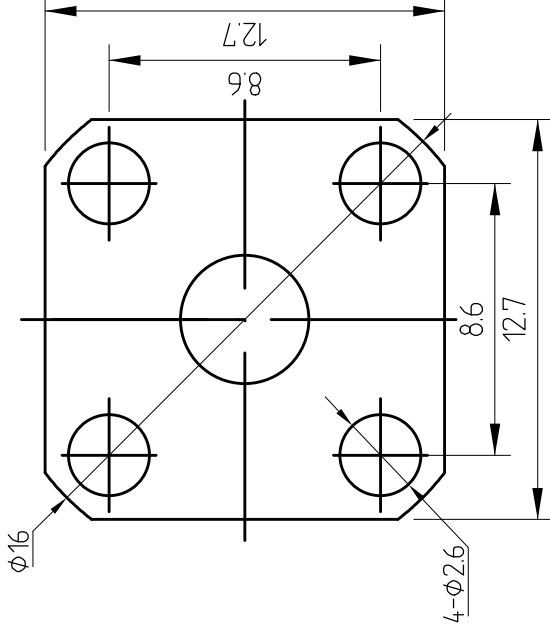
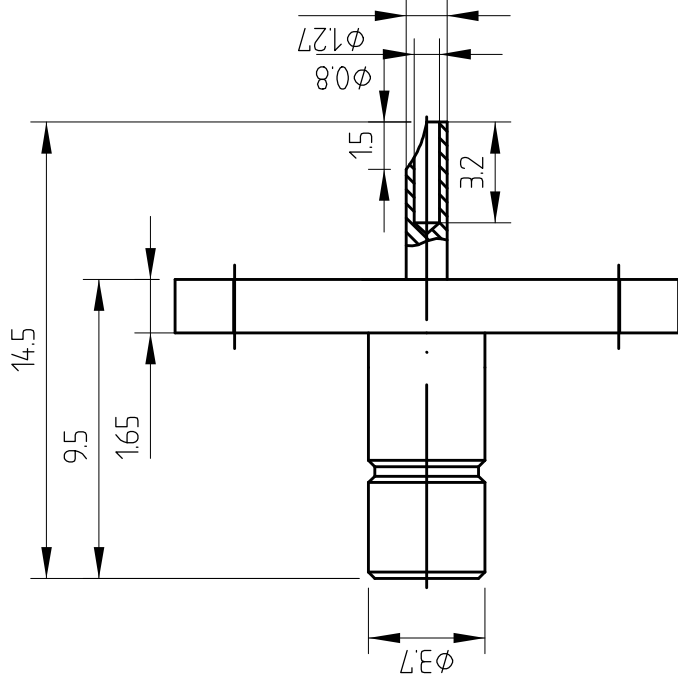


This document contains proprietary information and such information may not be disclosed to others for any purposes, not used for sales/marketing/procurement purposes without written permission

REV	DESCRIPTION OF REVISION	ECN NO.	BY	DATE	APPROVED
A	Initial Release		T.Shihua	25/02/16	25/02/16



1 Electrical

- 1.1 Impedence 50 Ω
- 1.2 Frequency DC ~4GHz
- 1.3 Dielectric withstanding voltage 1000V(volts RMS)
- 1.4 Center contact resistance $\leq 5.0m\Omega$
- 1.5 Outer contact resistance $\leq 2.5m\Omega$
- 1.6 Insulation resistance: $\geq 1000M\Omega$

2 Materials&plating

- 2.1 Body: Brass, Gold plated
- 2.2 Insulator: Teflon
- 2,3 Contact Pin: Beryllium copper, Gold plated

Notes:

- 1. ALL SPECIFICATIONS ARE SUBJECT TO CHANGE NOTICE AT ANY TIME
- 2. CUSTOMER OUTLINE DRAWING FOR REFERENCE ONLY

DRAWN: T.Shihua 25/02/16	TITLE: RF Coaxial Connector			 DIMENSION IN MILLIMETERS (mm)
ENGINEER: C.Tao 25/02/16	SMB Male Flange Connector for Terminal			
APPROVED: W.Qiang 25/02/16	PART NO: SMB-JFD2		SCALE: N/A	SHEET: 1/1
TOLERANCES UNLESS OTHERWISE SPECIFIED		SIZE: A4		REV: A
X +0.50	ANGLES *°			
X +0.20				
XX +0.10				