

4

3

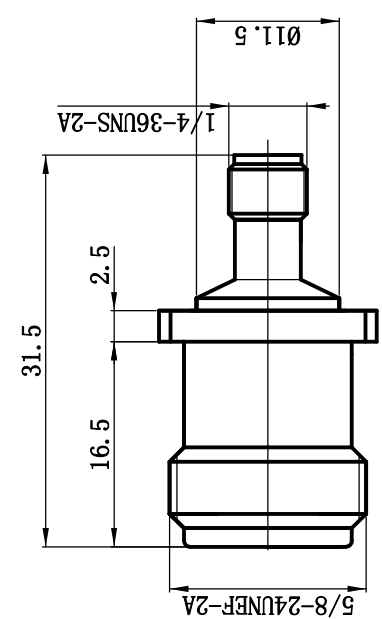
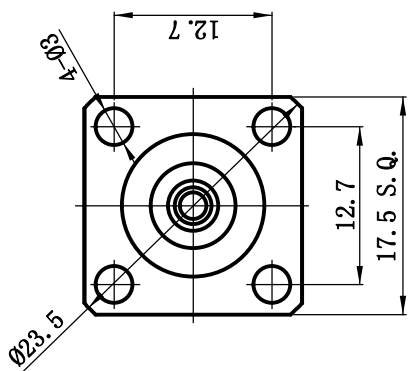
2

1

REVISION

REV	DESCRIPTION	DATE

Mounting Hole



- 1 Electrical
 - 1.1 Impedance 50 Ω
 - 1.2 Frequency 0~6GHz
 - 1.3 Dielectric withstanding voltage 1000V (volts RMS)
 - 1.4 Center contact resistance ≤ 3MΩ
 - 1.5 Outer contact resistance ≤ 2MΩ
 - 1.6 Insulation resistance: ≥5000MΩ
- 2 Environmental&Mechanical
 - 2.1 Temperature range -45℃~125℃
 - 2.2 RoHS Compliant
 - 2.3 Durability >500 cycles
- 3 Materials&Plating
 - 3.1 Body: Brass, nickel plated
 - 3.2 Insulator: Teflon
 - 3.3 Contact Pin: Phosphor Bronze, Gold plated

RoHS
Compliance

NO.	DESCRIPTION	Q'TY	MATERIAL	PLATING	REMARKS
3	INSULATOR	1	TEFLON		
2	CONTACT	1	Phosphor	Gold Plate	
1	BODY	1	BRASS	Gold Plate	

DATE	23-Apr-18
APPROVED BY	Xin Li
CHECKED BY	Super-May
DRAWN BY	Fei Wang
SCALE	5/1
UNIT	mm
WEIGHT	—

CUSTOMER	
CUSTOMER CODE	
SCALE	5/1
UNIT	mm
WEIGHT	—

DATE	23-Apr-18	CLEC GROUP
APPROVED BY	Xin Li	
CHECKED BY	Super-May	
DRAWN BY	Fei Wang	
SCALE	5/1	
UNIT	mm	
WEIGHT	—	

TITLE	N/SMA-KFK1B
DWG NO.	A4
SHEET	—

A

B

A

B

4

3

2

1