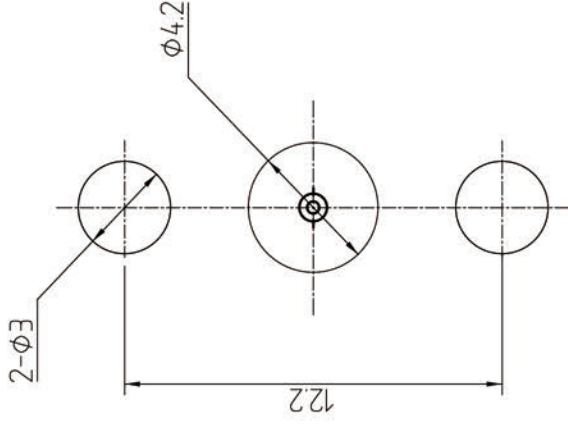
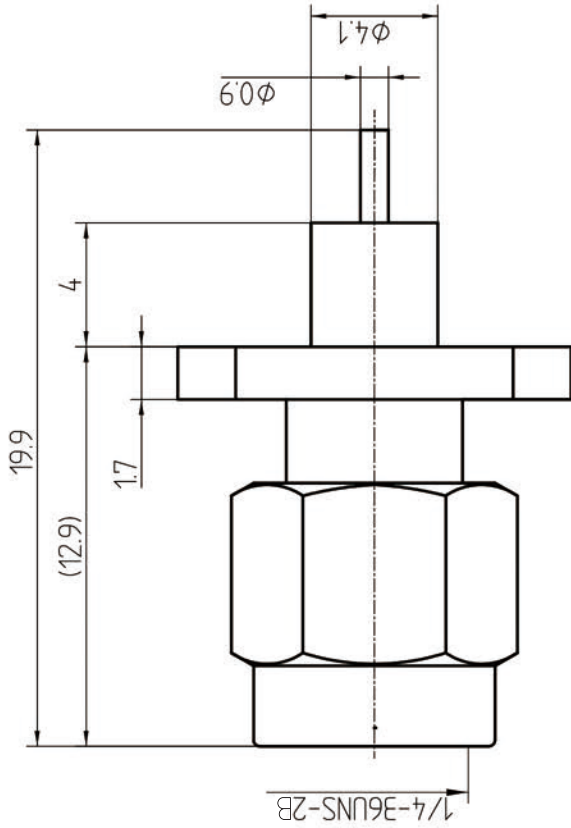


This document contains proprietary information and such information may not be disclosed to others for any purposes, not used for sales/marketing/procurement purposes without written permission

REV	DESCRIPTION OF REVISION	ECN NO.	BY	DATE	APPROVED
A	Initial Release		T. Haiyun	5/11/14	5/11/14

### Mounting Hole



#### 1 Electrical

- 1.1 Impedance 50 Ω
- 1.2 Frequency 0~6GHz
- 1.2 Dielectric withstanding voltage 1000V (volts RMS)
- 1.3 Center contact resistance ≤ 3MΩ
- 1.4 Outer contact resistance ≤ 2MΩ
- 1.5 Insulation resistance: ≥ 5000MΩ
- 1.6 VSWR 1.2:1

#### 2 Environmental&Mechanical

- 2.1 Temperature range -45°C~85°C
- 2.2 RoHs Compliant YES
- 2.3 Durability >500 cycles

#### 3 Materials&plating

- 3.1 Body: Brass; Gold, plated
- 3.2 Insulator: Teflon
- 3.3 Contact Pin: Brass; Gold,plated

#### Notes:

- 1. ALL SPECIFICATIONS ARE SUBJECT TO CHANGE NOTICE AT ANY TIME
- 2. CUSTOMER OUTLINE DRAWING FOR REFERENCE ONLY

DRAWN : T. Haiyun 5/11/14

ENGINEER: C. Tao 5/11/14

APPROVED : W. Qiang 5/11/14

TOLERANCES UNLESS OTHERWISE SPECIFIED  
 X +0.50  
 XX +0.20  
 ANGLES ±°

TITLE:

RF Coaxial Connector

SMA male Flange Connector Terminal



www.terubi.com



DIMENSION IN MILLIMETERS (mm)

PART NO: SMA-JFD1.0  
 SCALE: N/A  
 SHEET: 1/1  
 RFI: A