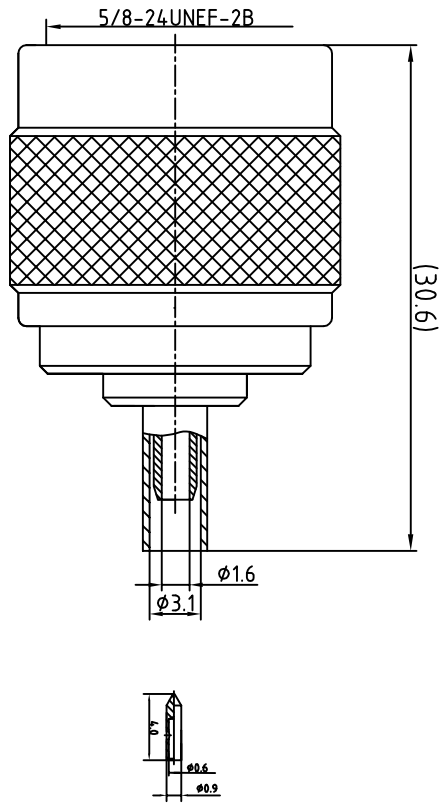


This document contains proprietary information and such information may not be disclosed to others for any purposes, not used for sales/marketing/procurement purposes without written permission


REV	DESCRIPTION OF REVISION	ECN NO.	BY	DATE	APPROVED
A	Initial Release		T.Shihua	18/7/07	18/7/07



- 1 Electrical**
- 1.1 Impedance: 50Ω
 - 1.2 Frequency: DC-11GHz
 - 1.3 Dielectric withstanding voltage: 1500V(volts RMS)
 - 1.4 Center contact resistance: ≤ 1MΩ
 - 1.5 Outer contact resistance: ≤ 0.2MΩ
 - 1.6 Insulation resistance: ≥5000MΩ
- 2 Environmental&Mechanical**
- 2.1 Temperature range: -55℃~155℃
 - 2.2 RoHs Compliant
 - 2.3 Durability: >500 cycles
- 3 Materials&plating**
- 3.1 Body: Brass, nickel plated
 - 3.2 Insulator: Teflon
 - 3.3 Contact Pin: Brass, Gold plated
 - 3.4 Coupling Nut: Brass, nickel plated
 - 3.5 Gasket: Silicon rubber (red color)
 - 3.6 Spring: Phosphor bronze, nickel plated

Notes:

- 1.ALL SPECIFICATIONS ARE SUBJECT TO CHANGE NOTICE AT ANY TIME
- 2.CUSTOMER OUTLINE DRAWING FOR REFERENCE ONLY

DRAWN: T.Shihua 18/07/07	TITLE: N-J31B	 www.terullai.com
ENGINEER: C.Tao 18/07/07	N Male Conn. For RG316 Cable	
APPROVED: W.Qiang 18/07/07	PART NO: TRL-NM-2638512	SIZE: A4
TOLERANCES UNLESS OTHERWISE SPECIFIED		SCALE: N/A
X ±0.20		SHEET: 1/1
XX ±0.10		REV: A
ANGLES 2°		