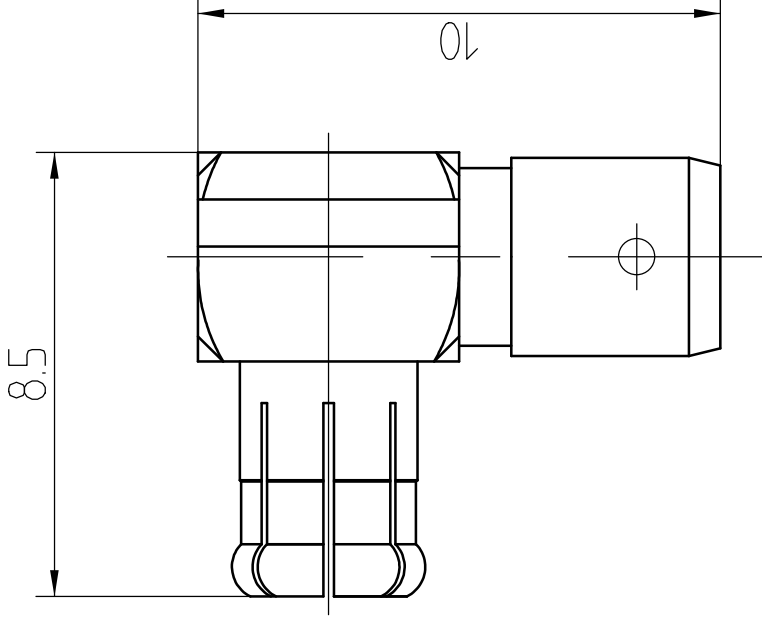


This document contains proprietary information and such information may not be disclosed to others for any purposes, not used for sales/marketing/procurement purposes without written permission

- 1 Electrical Data
 - 1.1 Impedance: 50Ω
 - 1.2 Frequency: DC-6GHz
 - 1.3. VSWR: 1.30:1
- 2 Material&Finish
 - 2.1 Inner Contact: Brass, gold plated
 - 2.2 Outer Contact: brass,gold plated
 - 2.3 Insulators: Teflon
 - 2.4 Spring contact: Beryllium-copper, gold plated



Notes:

1. ALL SPECIFICATIONS ARE SUBJECT TO CHANGE NOTICE AT ANY TIME
2. CUSTOMER OUTLINE DRAWING FOR REFERENCE ONLY

DRAWN: T. Haiyun 15/09/17
ENGINEER: C. Tao 15/09/17
APPROVED: W. Qiang 12/07/08
TOLERANCES UNLESS OTHERWISE SPECIFIED
X ± 0.50
.X ± 0.20
.XX ± 0.10
ANGLES *°

TITLE:	
RF Coaxial Connector	
MCX Male R/A Conn. For 086 Cable	
PART NO:	MCX-JWB2A

		www.rf-connector-china.com	
		DIMENSION IN MILLIMETERS (mm)	
SIZE: A4	SCALE: N/A	SHEET: 1/1	REV: A

REV	DESCRIPTION OF REVISION	ECN NO.	BY	DATE	APPROVED
A	Initial Release		T. Haiyun	15/09/17	15/09/17