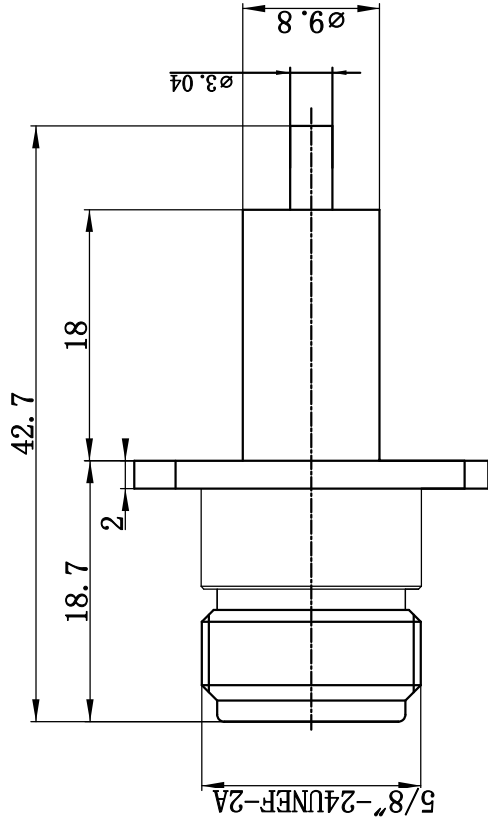
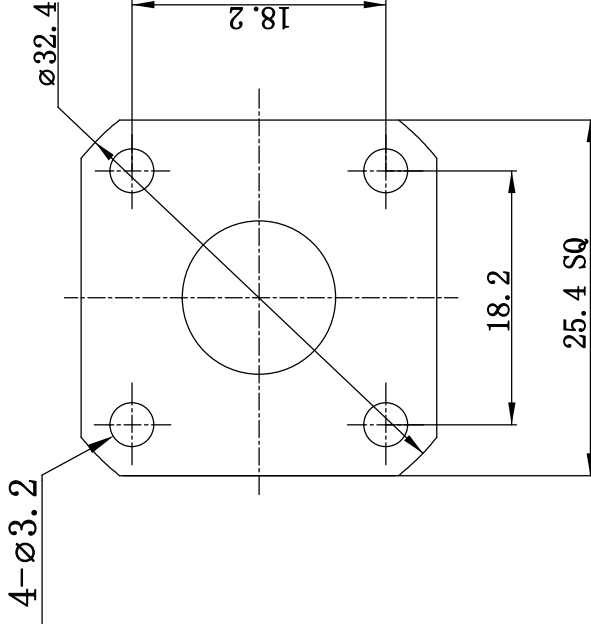


This document contains proprietary information and such information may not be disclosed to others for any purposes, not used for sales/marketing/procurement purposes without written permission



- 1 Electrical
  - 1.1 Impedance 50 Ω
  - 1.2 Frequency DC-11GHz
  - 1.7 VSWR 1.30: 1
- 2 Environmental&Mechanical
  - 2.1 Temperature range -40°C~+125°C
  - 2.2 RoHs Compliant
  - 2.3 Durability >500 cycles
- 3 Materials&plating
  - 3.1 Body: Brass, Nickel plated
  - 3.2 Insulator: Teflon
  - 3.3 Contact Pin: Bronze, Gold plated



REV	DESCRIPTION OF REVISION	TEL NO.	BY	DATE	APPROVED
A	Initial Release		T. Shihua	24/12/15	24/12/15

**Notes:**

- 1. ALL SPECIFICATIONS ARE SUBJECT TO CHANGE NOTICE AT ANY TIME
- 2. CUSTOMER OUTLINE DRAWING FOR REFERENCE ONLY

DRAWN: T. Shihua 24/12/15	TITLE: N-KFDTG
ENGINEER: C. Tao 24/12/15	N Female Flange Conn. For Terminal
APPROVED: W. Qiang 24/12/15	
TOLERANCES UNLESS OTHERWISE SPECIFIED	
X ±0.50	
.X ±0.20	
.XX ±0.10	
ANGLES ±1°	

		www.terujiai.com	
		DIMENSION IN MILLIMETERS (mm)	
SIZE: A4	SCALE: 1:1	SHEET: 1/1	REV: A