

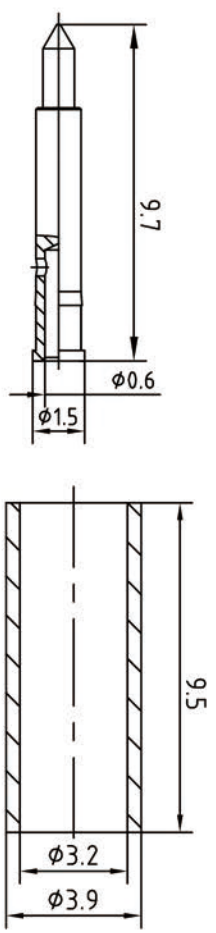
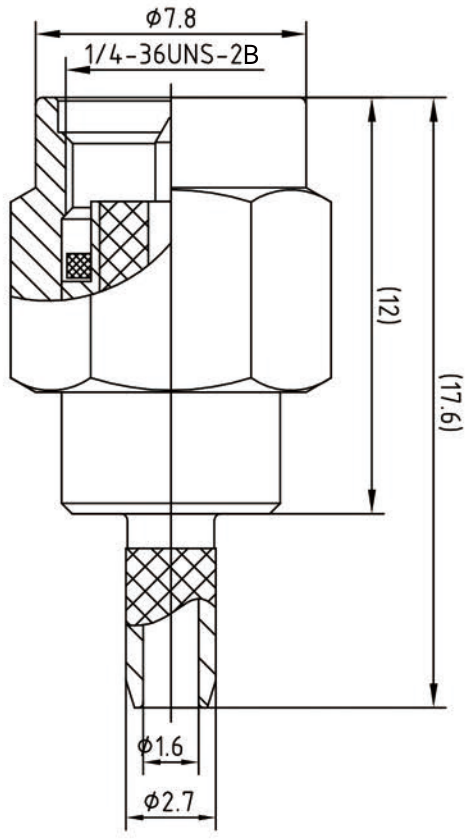
This document contains proprietary information and such information may not be disclosed to others for any purposes, not used for sales/marketing/procurement purposes without written permission


REV	DESCRIPTION OF REVISION	ECN NO.	BY	DATE	APPROVED
A	Initial Release		T.HoIyun	23/5/07	23/5/07

- 1 Electrical**
- 1.1 Impedence: 50Ω
  - 1.2 Frequency: DC~6GHz
  - 1.3 Dielectric withstanding voltage: 1000V(volts RMS)
  - 1.4 Center contact resistance: ≤ 3MΩ
  - 1.5 Outer contact resistance: ≤ 2MΩ
  - 1.6 Insulation resistance: ≥ 5000MΩ

- 2 Environmental&Mechanical**
- 2.1 Temperature range: -40℃~+70℃
  - 2.2 RoHs Compliant
  - 2.3 Durability: >500 cycles

- 3 Materials&plating**
- 3.1 Body: Brass, Nickel plated
  - 3.2 Insulator: Teflon
  - 3.3 Contact Pin: Brass, Gold plated
  - 3.4 Nut: Brass, Nickel plated
  - 3.5 Gasket: Silicon Rubber ( red color)
  - 3.6 Ferrule: Copper, Nickel plated



DRAWN: T.HoIyun 23/5/07	TITLE: SMA-J3B	 www.t-rely.com.cn
ENGINEER: C.Too 23/5/07	SMA Male Str. Conn. for RG174 Cable Crimp	
APPROVED: W.Qiang 23/5/07	PART NO: TRL-SMAM-490861	SIZE: A4
TOLERANCES UNLESS OTHERWISE SPECIFIED		SCALE: 1:1
X .450		SHEET: 1/1
X .420		REV: A
XX .430		
ANGLES 30°		

Notes:  
 1. ALL SPECIFICATIONS ARE SUBJECT TO CHANGE NOTICE AT ANY TIME  
 2. CUSTOMER OUTLINE DRAWING FOR REFERENCE ONLY