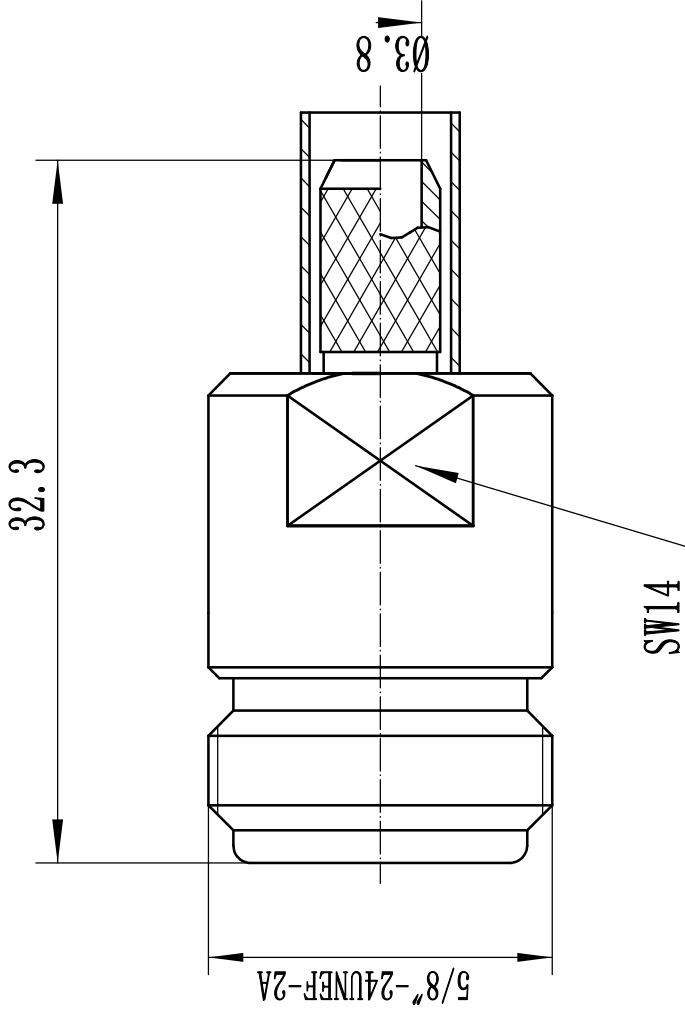


This document contains proprietary information and such information may not be disclosed to others for any purposes, not used for sales/marketing/procurement purposes without written permission

- 1 Electrical
  - 1.1 Impedence 75 Ω
  - 1.2 Frequency DC~3GHz
  - 1.3 VSWR 1.30:1
- 2 Mechanical and environmental
  - 2.1 Durability 500 cycles
  - 2.2 RoHs Compliant Yes
- 3 Materials & plating
  - 3.1 Body: Brass, Nickel plated
  - 3.2 Insulator: Teflon
  - 3.3 Contact Pin: Bronze, Gold plated



REV	DESCRIPTION OF REVISION	ECN NO.	BY	DATE	APPROVED
A	Initial Release		T. Shihua	26/11/15	26/11/15

DRAWN: T. Shihua 26/11/15 ENGINEER: C. Tao 26/11/15 APPROVED: W. Qiang 26/11/15 TOLERANCES UNLESS OTHERWISE SPECIFIED X ±0.50 .X ±0.20 .XX ±0.10 ANGLES ±1°	<b>TITLE:</b> <b>RF Coaxial Connector</b> <b>N Female conn. for RG59 Cable Crimp</b>		 <a href="http://www.tenulal.com">www.tenulal.com</a>
PART NO: N-75K69Y		DIMENSION IN MILLIMETERS (mm)	SCALE: N/A SHEET: 1/1 REV: A

Notes:  
 1. ALL SPECIFICATIONS ARE SUBJECT TO CHANGE NOTICE AT ANY TIME  
 2. CUSTOMER OUTLINE DRAWING FOR REFERENCE ONLY