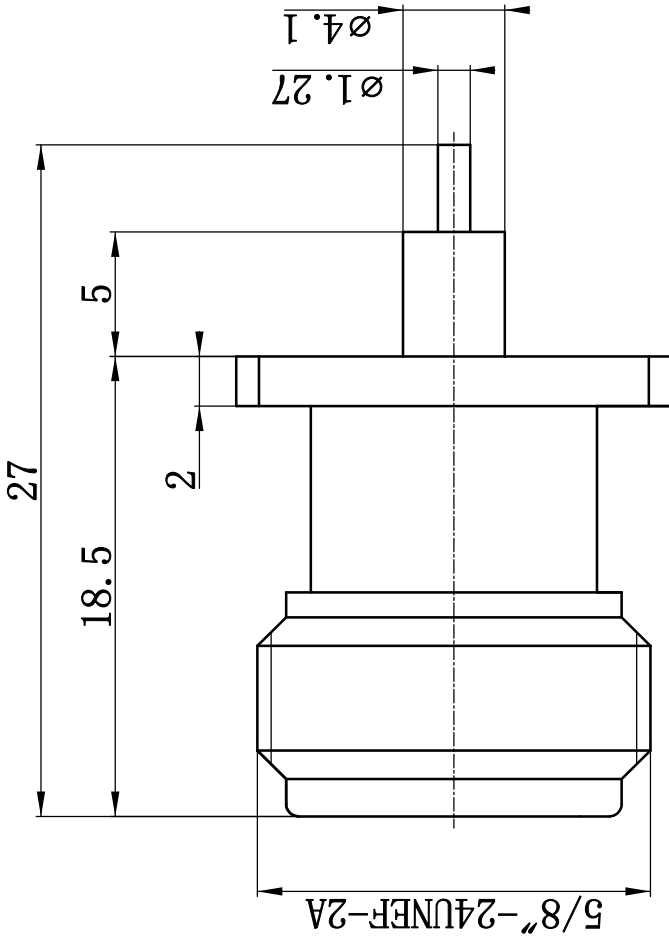


This document contains proprietary information and such information may not be disclosed to others for any purposes, not used for sales/marketing/procurement purposes without written permission

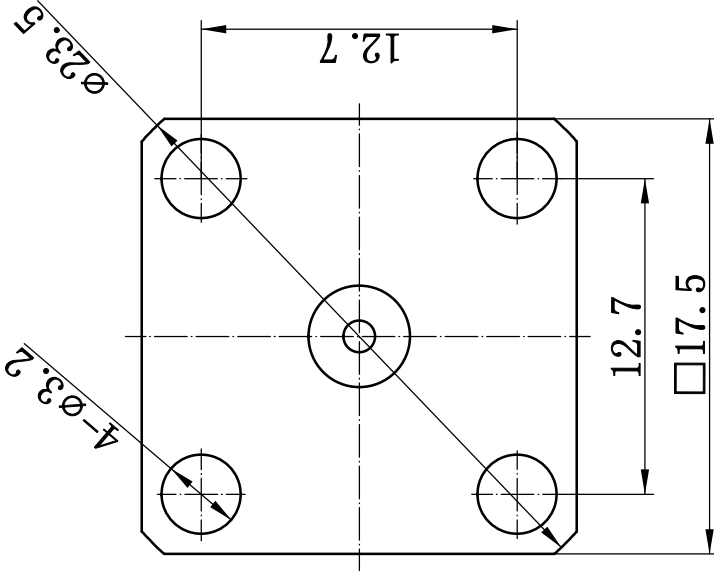


- 1 Electrical
 - 1.1 Impedance 50 Ω
 - 1.2 Frequency DC-11GHz
 - 1.3 Dielectric withstanding voltage 1500V (volts RMS)
 - 1.4 Center contact resistance $\leq 1\text{M}\Omega$
 - 1.5 Outer contact resistance $\leq 0.2\text{M}\Omega$
 - 1.6 Insulation resistance: $\geq 5000\text{M}\Omega$
- 2 Environmental/Mechanical
 - 2.1 Temperature range -55°C~125°C
 - 2.2 RoHS Compliant
 - 2.3 Durability >500 cycles
- 3 Material&Finish
 - 3.1 Body: Brass, Nickel-plated
 - 3.2 Insulator: Teflon
 - 3.3 Contact Pin: Bronze, gold plated

Notes:

1. ALL SPECIFICATIONS ARE SUBJECT TO CHANGE NOTICE AT ANY TIME
2. CUSTOMER OUTLINE DRAWING FOR REFERENCE ONLY

REV	DESCRIPTION OF REVISION	ECN NO.	BY	DATE	APPROVED
A	Initial Release		T. Shihua	28/04/15	28/04/15



DRAWN: T. Shihua 28/04/15		TITLE: RF Coaxial Connector	
ENGINEER: C. Tao 28/04/15		www.rf-connector-china.com	
APPROVED: W. Qiang 28/04/15		N Female Straight Flange Connector	
TOLERANCES UNLESS OTHERWISE SPECIFIED		DIMENSION IN MILLIMETERS (mm)	
X	±0.50	SCHEMATIC	
.X	±0.20	SCALE: N/A	
.XX	±0.10	SIZE: A4	
ANGLES	±1°	SHEET: 1/1	
PART NO: N-KFD1005		REV: A	