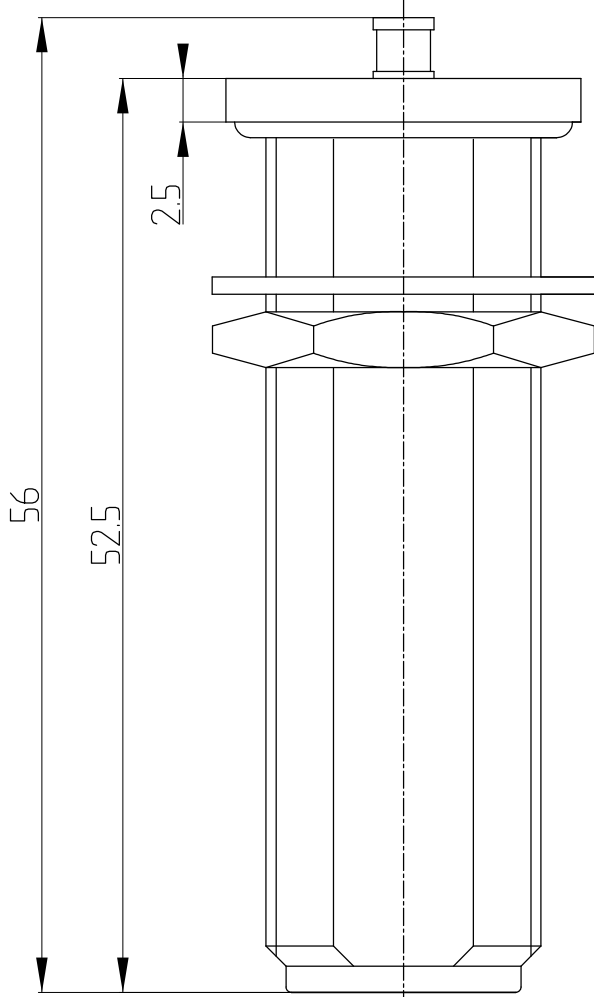
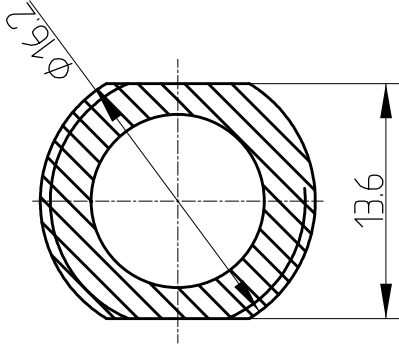


This document contains proprietary information and such information may not be disclosed to others for any purposes, not used for sales/marketing/procurement purposes without written permission



Recommended Mounting Hole



1 Electrical

- 1.1 Impedance 50 Ω
- 1.2 Frequency DC - 6GHz
- 1.3 VSWR 1.20:1

2 Environmental & Mechanical

- 2.1 Temperature range -45 $^{\circ}$ C ~ 125 $^{\circ}$ C
- 2.2 RoHS Compliant
- 2.3 Durability >500 cycles

3 Materials & Finish

- 3.1 Body: Brass, Nickel plated
- 3.2 Insulator: Teflon
- 3.3 Contact Pin: Bronze, gold plated
- 3.5 Nut: Brass, Nickel plated
- 3.6 Washer: Phosphor bronze, nickel plated

REV	DESCRIPTION OF REVISION	ECN NO.	BY	DATE	APPROVED
A	New Release		T. Shihua	26/08/15	26/08/15

DRAWN: T. Shihua 26/08/15		TITLE:	
ENGINEER: C. Tao 26/08/15		RF Coaxial Connector	
APPROVED: W. Qiang 26/08/15		N female B/H Conn. For 086 Cable	
TOLERANCES UNLESS OTHERWISE SPECIFIED		DIMENSION IN MILLIMETERS (mm)	
X	+0.50	SCALE:	N/A
X	+0.20	SIZE:	A4
XX	+0.10	SHEET:	1/1
ANGLES	*°	REV:	A

Notes:

- 1. ALL SPECIFICATIONS ARE SUBJECT TO CHANGE NOTICE AT ANY TIME
- 2. CUSTOMER OUTLINE DRAWING FOR REFERENCE ONLY

镇江永宁科技有限公司



DIMENSION IN MILLIMETERS (mm)

SIZE: A4 SCALE: N/A SHEET: 1/1 REV: A