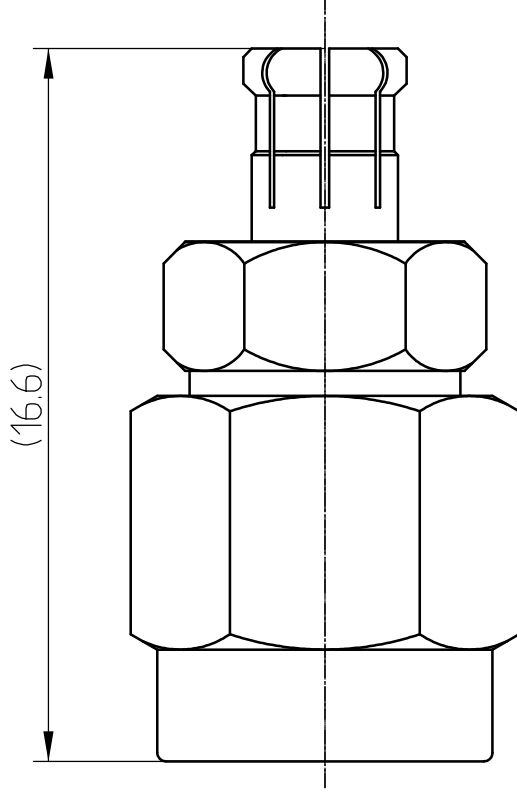


This document contains proprietary information and such information may not be disclosed to others for any purposes, not used for sales/marketing/procurement purposes without written permission

- 1 电气性能
 - 1.1 特性阻抗 50 Ω
 - 1.2 频率 DC~6GHz
 - 1.3 介质耐压 750V
 - 1.4 中心导体电阻 $\leq 5M\Omega$
 - 1.5 外导体电阻 $\leq 2.5M\Omega$
 - 1.6 绝缘电阻 $\geq 1000M\Omega$
 - 1.7 VSWR $\leq 1.25: 1$



2 材料及涂覆

- 2.1 外壳: 黄铜;镀金
- 2.2 绝缘子: Teflon
- 2.3 内导体: 黄铜;镀金
- 2.4 接触头: 铍青铜;镀金



REV	DESCRIPTION OF REVISION	ECN NO.	BY	DATE	APPROVED
A	Initial Release		T. Haiyun	24/07/15	24/07/15

DRAWN: T. Haiyun 24/07/15	TITLE:
ENGINEER: C. Tao 24/07/15	RF Adaptor
APPROVED: W. Qiang 24/07/15	SMA Male to MCX Male
TOLERANCES UNLESS OTHERWISE SPECIFIED	
X ±0.50	
.X ±0.20	
XX ±0.10	
ANGLES °	

		www.terulilai.com	
		DIMENSION IN MILLIMETERS (mm)	
SIZE: A4	SCALE: N/A	SHEET: 1/1	REV: A
PART NO: SMA/MCX-JJ			

Notes:

1. ALL SPECIFICATIONS ARE SUBJECT TO CHANGE NOTICE AT ANY TIME
2. CUSTOMER OUTLINE DRAWING FOR REFERENCE ONLY