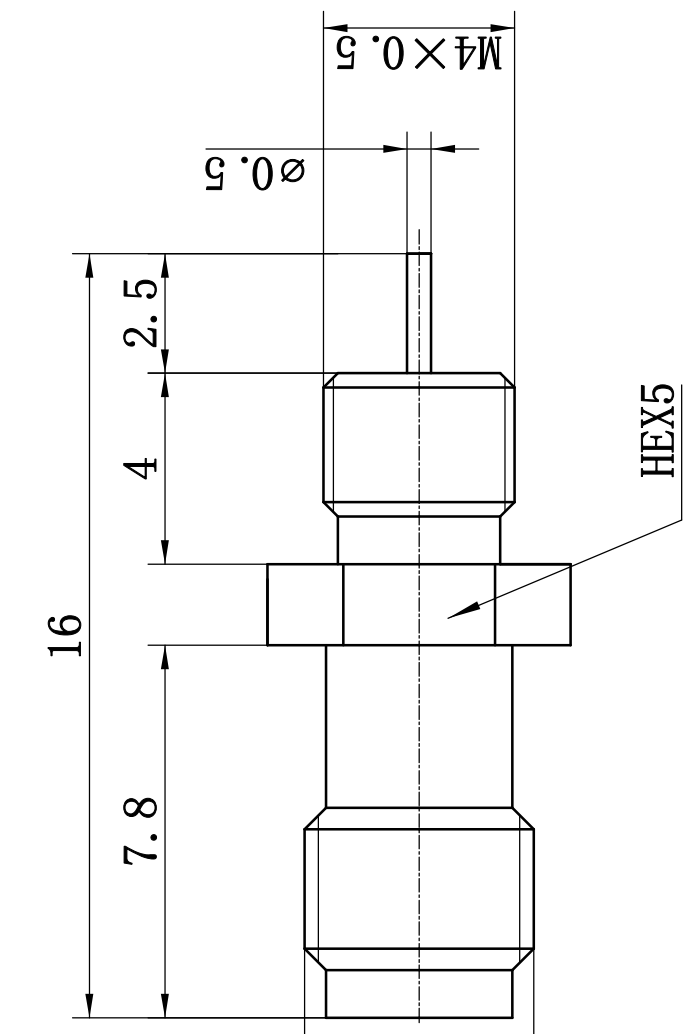


This document contains proprietary information and such information may not be disclosed to others for any purposes, not used for sales/marketing/procurement purposes without written permission

REV	DESCRIPTION OF REVISION	ECN NO.	BY	DATE	APPROVED
A	Initial Release		T. Haiyun	19/7/16	19/7/16

10-36UNS-2A



- 1 Electrical
 - 1.1 Impedance: 50 Ω
 - 1.2 Frequency: DC~18GHz
 - 1.3 VSWR: 1.25:1
 - 1.4 Dielectric Withstanding Voltage: 750V
- 2 Environmental&Mechanical
 - 2.1 Temperature range -40℃~+125℃
 - 2.2 RoHS Compliant
 - 2.3 Durability >500 cycles
- 3 Materials&plating
 - 3.1 Body: Brass; Gold plated
 - 3.2 Insulator: Teflon
 - 3.3 Contact Pin: Beryllium-copper, Gold plated

Notes:

- 1. ALL SPECIFICATIONS ARE SUBJECT TO CHANGE NOTICE AT ANY TIME
- 2. CUSTOMER OUTLINE DRAWING FOR REFERENCE ONLY

DRAWN: T. Haiyun 19/7/16		TITLE: RF Coaxial Connector	
ENGINEER: C. Tao 19/7/16		SSMA Female Conn. Terminal	
APPROVED: W. Qiang 19/7/16		www.terulilai.com	
TOLERANCES UNLESS OTHERWISE SPECIFIED		DIMENSION IN MILLIMETERS (mm)	
X	±0.50		
.X	±0.20		
.XX	±0.10		
ANGLES ±1°		SCALE: N/A	SHEET: 1/1
PART NO: SSMA-KYD2		SIZE: A4	REV: A