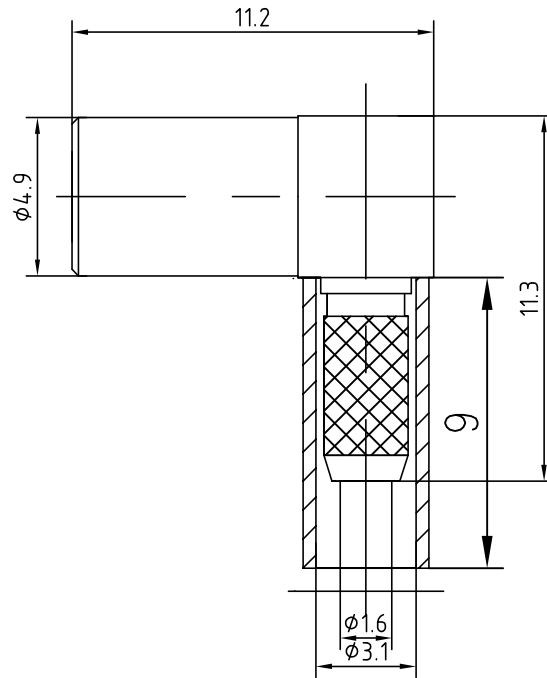


1 2 3 4

A

A

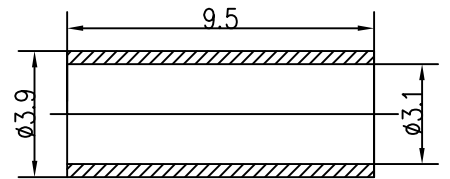


B

B

Electrical

1. Impedance: 50Ω
2. Frequency: 0~3GHz
2. Working voltage: $\leq 250V$
3. Insulation resistance: $\geq 1000M\Omega$
4. Dielectric strength: 500V
5. Center contact resistance $\leq 5m\Omega$
6. Center contact resistance $\leq 2.5m\Omega$



C

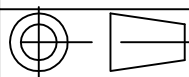
C

Material&Finish

1. Inner Contact: gold plated over Brass
2. Outer Contact: gold plated over brass.
3. Insulators: Teflon
4. Crimp Ferrule: brass, gold plated

D

D



Scale	
1:1	
Name	Date
Designed Tomson	4-Dec-15
Checked Jason	4-Dec-15
Approved Teresa	4-Dec-15

SSMB-KW3
SSMB Female RA Connector
for RG316 Cable

UNLESS OTHERWISE SPECIFIED
DIMENSIONS ARE mm, TOLERANCES ARE:
FRACTIONS DECIMALS ANGLES
.X± .15 ±1°
.XX± .05
.XXX±

Xi'an T-RELY ELECTRONICS CO., LTD.