

This document contains proprietary information and such information may not be disclosed to others for any purposes, not used for sales/marketing/procurement purposes without written permission

REV	DESCRIPTION OF REVISION	ECN NO.	BY	DATE	APPROVED
A	Initial Release	—	T.Haiyun	09/08/17	09/08/17

1 Electrical

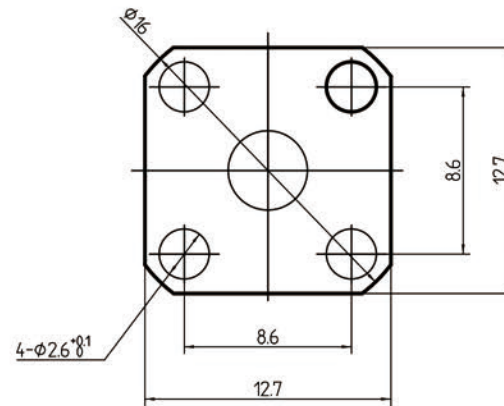
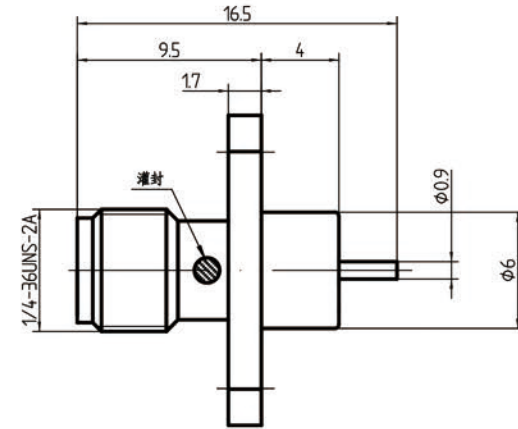
- 1.1 Impedence 50 Ω
- 1.2 Frequency 0~6GHz
- 1.2 Dielectric withstanding voltage 1000V(volts RMS)
- 1.3 Center contact resistance $\leq 3M \Omega$
- 1.4 Outer contact resistance $\leq 2M \Omega$
- 1.5 Insulation resistance: $\geq 5000M \Omega$

2 Environmental&Mechanical

- 2.1 Temperature range -45 $^{\circ}$ C~85 $^{\circ}$ C
- 2.2 RoHs Compliant
- 2.3 Durability >500 cycles



3 Materials&plating

- 3.1 Body: Brass; Gold, plated
- 3.2 Insulator: Teflon
- 3.3 Contact Pin: Bronze, Gold,plated



Notes:

- 1. ALL SPECIFICATIONS ARE SUBJECT TO CHANGE NOTICE AT ANY TIME
- 2. CUSTOMER OUTLINE DRAWING FOR REFERENCE ONLY

DRAWN : T.Haiyun 09/08/17 ENGINEER: C.Tao 09/08/17 APPROVED : W.Qiang 09/08/17 TOLERANCES UNLESS OTHERWISE SPECIFIED X ±0.50 .X ±0.20 .XX ±0.10 ANGLES ±1°	TITLE: RF Coaxial Connector SMA Female Flange Conn. Mount	 www.rf-connector-china.com  DIMENSION IN MILLIMETERS (mm)		
PART NO.: SMA-KFD43A	SIZE: A4	SCALE: N/A	SHEET: 1/1	REV: A