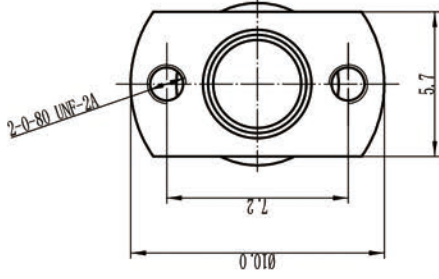
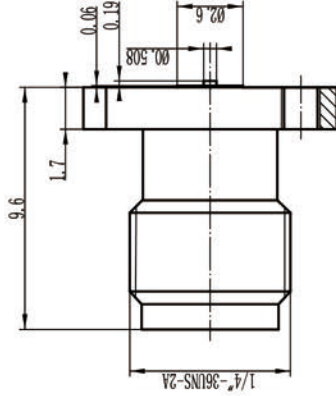


This document contains proprietary information and such information may not be disclosed to others for any purposes, not used for sales/marketing/procurement purposes without written permission

- 1 Electrical
  - 1.1 Impedence 50  $\Omega$
  - 1.2 Frequency DC ~ 18GHz
  - 1.2 Dielectric withstanding voltage 1000V (volts RMS)
  - 1.3 Center contact resistance  $\leq 3M\Omega$
  - 1.4 Outer contact resistance  $\leq 2M\Omega$
  - 1.5 Insulation resistance:  $\geq 5000M\Omega$
  - 1.6 VSWR 1.20:1
- 2 Environmental & Mechanical
  - 2.1 Temperature range -45 $^{\circ}$ C ~ 85 $^{\circ}$ C
  - 2.2 RoHS Compliant
  - 2.3 Durability >500 cycles

- 3 Materials & plating
  - 3.1 Body: Brass, Gold plated
  - 3.2 Insulator: Teflon
  - 3.3 Contact Pin: Beryllium Copper Gold plated



REV	DESCRIPTION OF REVISION	ECN NO.	BY	DATE	APPROVED
A	Initial Release		T. Shihua	12/7/13	12/7/13

DRAWN: T. Shihua 12/07/13
ENGINEER: C. Tao 12/07/13
APPROVED: W. Qiang 12/07/13
TOLERANCES UNLESS OTHERWISE SPECIFIED
X +0.50
X +0.20
XX +0.10
ANGLES $\neq$ 1 $^{\circ}$

TITLE:	
RF Coaxial Connector	
SMA Female flange Conn. For Terminal	
PART NO: ISMA-NF12G	

**QPL** [www.rf-connector-china.com](http://www.rf-connector-china.com)

DIMENSION IN MILLIMETERS (mm)

SIZE: A4 SCALE: N/A SHEET: 1/1 REV: A

- Notes:
1. ALL SPECIFICATIONS ARE SUBJECT TO CHANGE NOTICE AT ANY TIME
  2. CUSTOMER OUTLINE DRAWING FOR REFERENCE ONLY