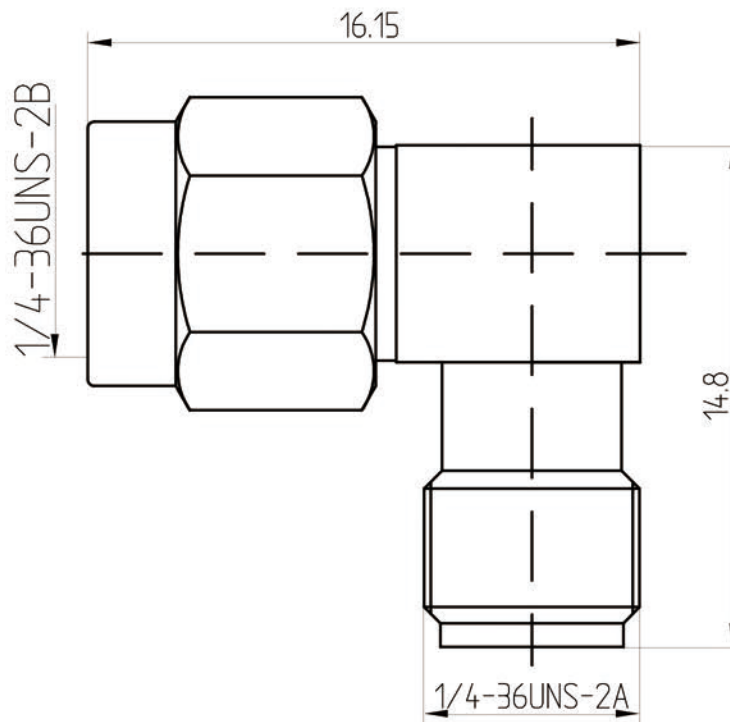


This document contains proprietary information and such information may not be disclosed to others for any purposes, not used for sales/marketing/procurement purposes without written permission

REV	DESCRIPTION OF REVISION	ECN NO.	BY	DATE	APPROVED
A	Initial Release	—	T. Shihua	01/09/15	01/09/15

- 1. Electrical
 - 1.1 Impedance: 50ohm
 - 1.2 Frequency: DC-6GHz
 - 1.3. Insulation resistance: $\geq 5000M\Omega$
 - 1.4 Dielectric withstanding voltage: 500V(rms)
 - 1.5 VSWR: 1.20:1

- 2 Material&Finish
 - 2.1 Inner Contact: Beryllium copper, gold plated
 - 2.2 Outer Contact: brass, gold plated
 - 2.3 Insulators: PTFE



Notes:

- 1. ALL SPECIFICATIONS ARE SUBJECT TO CHANGE NOTICE AT ANY TIME
- 2. CUSTOMER OUTLINE DRAWING FOR REFERENCE ONLY

DRAWN: T. Shihua 01/09/15
ENGINEER: C. Tao 01/09/15
APPROVED: W. Qiang 01/09/15
TOLERANCES UNLESS OTHERWISE SPECIFIED
X +0.50
X +0.20
XX +0.10
ANGLES ±1°

TITLE:
SMA Male to Female Right Angle
PART NO: SMA-JWK2

QRL www.rf-connector-china.com

DIMENSION IN MILLIMETERS (mm)

SIZE: A4	SCALE: N/A	SHEET: 1/1	REV: A
----------	------------	------------	--------