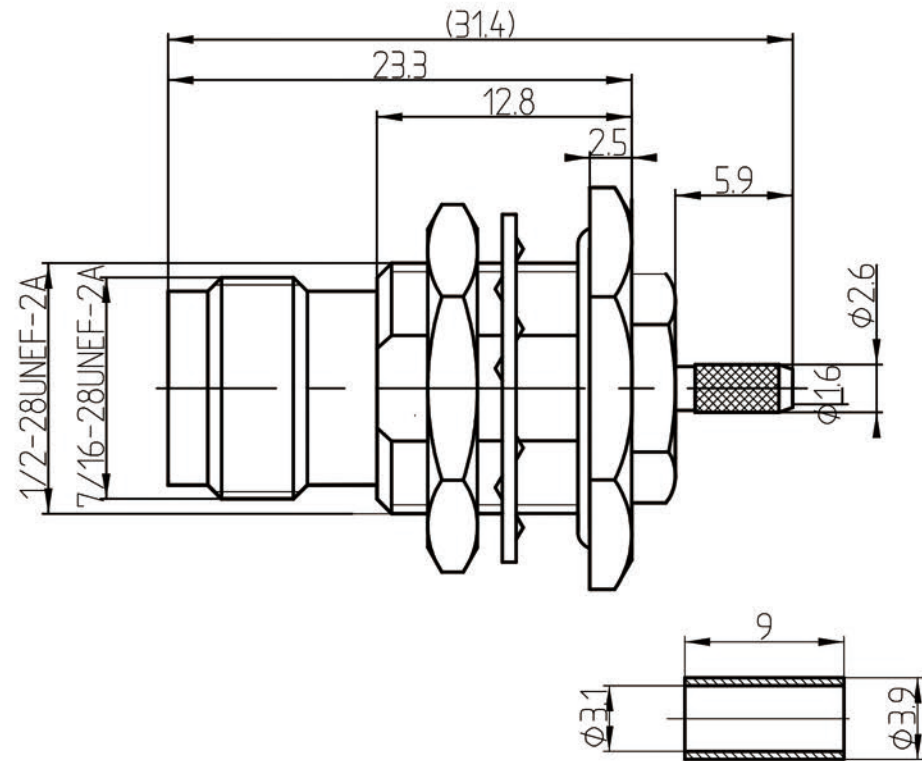
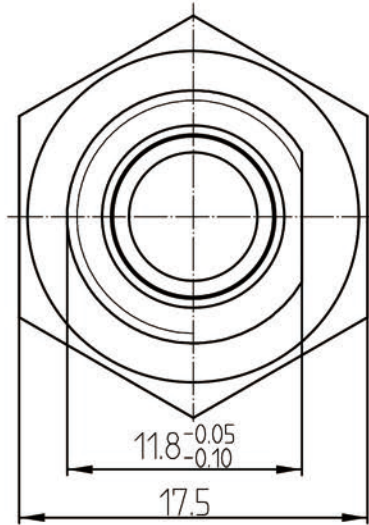


This document contains proprietary information and such information may not be disclosed to others for any purposes, not used for sales/marketing/procurement purposes without written permission

REV	DESCRIPTION OF REVISION	ECN NO.	BY	DATE	APPROVED
A	Initial Release	—	T.Haiyun	21/05/08	21/05/08



1 Electrical

1.1 Impedance	50 Ω
1.2 Frequency	DC~3GHz
1.3 Dielectric withstanding voltage	1500V(volts RMS)
1.4 Center contact resistance	≤ 15MΩ
1.5 Outer contact resistance	≤ 0.2MΩ
1.6 Insulation resistance:	≥5000MΩ

2 Environmental&Mechanical


2.1 Temperature range	-40℃~70℃
2.2 RoHS Compliant	
2.3 Durability	>500 cycles

3 Materials&plating

3.1 Body:	Brass; Nickel plated
3.2 Insulator:	Teflon
3.3 Contact Pin:	Bronze Gold plated
3.4 Nut:	Brass, Nickel plated
3.5 Gasket:	Silicon Rubber (red color)
3.6 Washer	Brass, Nickel plated

Notes:

- ALL SPECIFICATIONS ARE SUBJECT TO CHANGE NOTICE AT ANY TIME
- CUSTOMER OUTLINE DRAWING FOR REFERENCE ONLY

DRAWN: T.Haiyun 21/05/08		TITLE: RF Coaxial Connector TNC Female B/H Conn. for RG316 Cable		 www.rf-connector-china.com	
ENGINEER: C.Tao 21/05/08					
APPROVED: W.Qiang 21/05/08					
TOLERANCES UNLESS OTHERWISE SPECIFIED		PART NO: TNC-KY3CY		DIMENSION IN MILLIMETERS (mm)	
X	+0.50	SIZE:	SCALE:	SHEET:	REV:
.X	+0.20	A4	N/A	1/1	A
.XX	+0.10				
ANGLES	±1°				