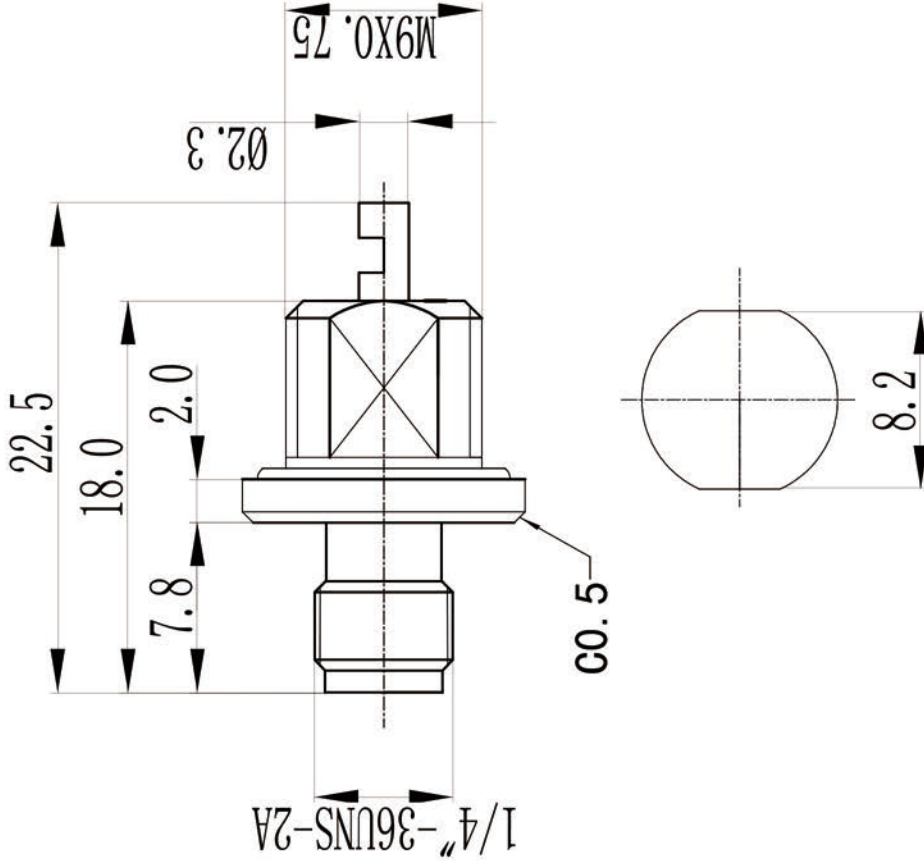


This document contains proprietary information and such information may not be disclosed to others for any purposes, not used for sales/marketing/procurement purposes without written permission

- 1 **Electrical**
 - 1.1 Impedence 50 Ω
 - 1.2 Frequency 0~3GHz
 - 1.3 Dielectric withstanding voltage 1000V (volts RMS)
 - 1.4 Center contact resistance ≤ 3MΩ
 - 1.5 Outer contact resistance ≤ 2MΩ
 - 1.6 Insulation resistance: ≥ 5000MΩ
- 2 **Environmental&Mechanical**
 - 2.1 Temperature range -45℃~85℃
 - 2.2 RoHs Compliant
 - 2.3 Durability >500 cycles
- 3 **Materials&Finish**
 - 3.1 Body: Brass, Gold Plated
 - 3.2 Insulator: Teflon
 - 3.3 Contact Pin: Brass, Gold plated
 - 3.4 Washer: Brass, Gold plated
 - 3.5 Hex Nut: Brass, Gold plated



REV	DESCRIPTION OF REVISION	ECN NO.	BY	DATE	APPROVED
A	Initial Release		T. Shihua	14/9/13	14/9/13

DRAWN: T. Shihua 14/9/13		TITLE: RF Coaxial Connector	
ENGINEER: C. Tao 14/9/13		www.rf-connector-china.com	
APPROVED: W. Qiang 14/9/13		DIMENSION IN MILLIMETERS (mm)	
TOLERANCES UNLESS OTHERWISE SPECIFIED		SCALE: N/A	
X +0.50		SHEET: 1/1	
X +0.20		REV: A	
XX +0.10		SIZE: A4	
ANGLES ±°		PART NO: SMA-KY1.13C	

- Notes:
- 1. ALL SPECIFICATIONS ARE SUBJECT TO CHANGE NOTICE AT ANY TIME
 - 2. CUSTOMER OUTLINE DRAWING FOR REFERENCE ONLY