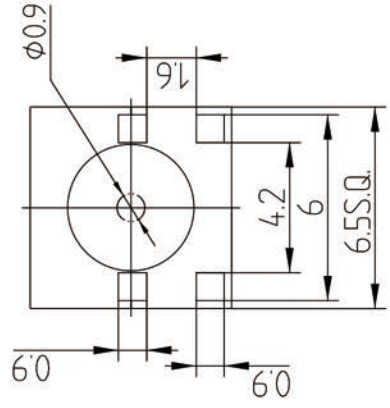
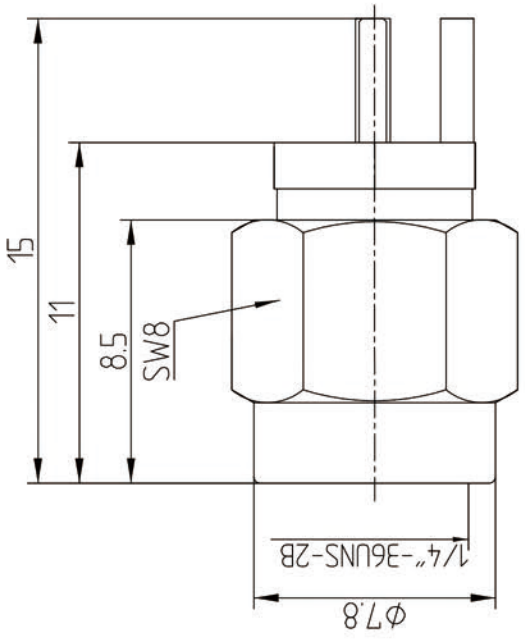


This document contains proprietary information and such information may not be disclosed to others for any purposes, not used for sales/marketing/procurement purposes without written permission

- 1 Electrical
 - 1.1 Impedence: 50 Ω
 - 1.2 Frequency: DC ~6GHz
 - 1.3 Dielectric withstanding voltage: 1000V(volts RMS)
 - 1.4 Center contact resistance: $\leq 3M\Omega$
 - 1.5 Outer contact resistance: $\leq 2M\Omega$
 - 1.6 Insulation resistance: $\geq 5000M\Omega$

- 2 Environmental&Mechanical
 - 2.1 Temperature range: $-40^{\circ}C \sim +85^{\circ}C$
 - 2.2 RoHS Compliant
 - 2.3 Durability: >500 cycles

- 3 Materials&plating
 - 3.1 Body: Brass; gold plated
 - 3.2 Insulator: Teflon
 - 3.3 Contact Pin: Brass, gold plated
 - 3.4 Nut: Brass, gold Plated
 - 3.5 Gasket: Silicon Rubber (red color)



REV	DESCRIPTION OF REVISION	ECN NO.	BY	DATE	APPROVED
A	Initial Release		T. Haiyun	17/11/17	17/11/17

DRAWN : T. Haiyun 17/11/17 ENGINEER: C. Tao 17/11/17 APPROVED : W. Qiang 17/11/17 TOLERANCES UNLESS OTHERWISE SPECIFIED X +0.05 XX +0.20 ANGLES *°	TITLE: RF Coaxial Connector SMA Male Conn. for PCB	 www.rf-connector-china.com
DIMENSION IN MILLIMETERS (mm)	DIMENSION IN MILLIMETERS (mm)	
PART NO: SMA-JHDC3	SCALE: N/A	SHEET: 1/1
SIZE: A4	REF: A	

Notes:
 1. ALL SPECIFICATIONS ARE SUBJECT TO CHANGE NOTICE AT ANY TIME
 2. CUSTOMER OUTLINE DRAWING FOR REFERENCE ONLY