

This document contains proprietary information and such information may not be disclosed to others for any purposes, not used for sales/marketing/procurement purposes without written permission

REV	DESCRIPTION OF REVISION	ECN NO.	BY	DATE	APPROVED
A	Initial Release	—	T. Shihua	01/04/17	01/04/17

1 Electrical

- 1.1 Impedance: 50 Ω
- 1.2 Frequency: DC-40GHz
- 1.3 VSWR: 1.2:1

2 Mechanical & Environmental

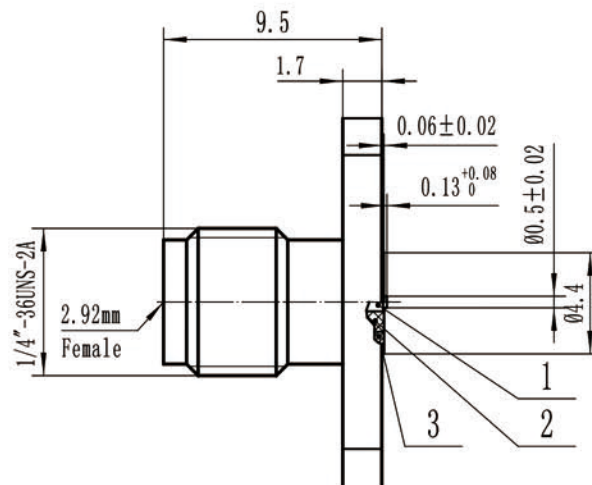
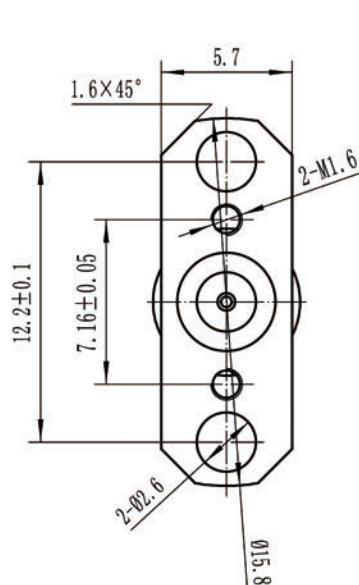
- 2.1 Temperature range: -55°C ~ +165°C
- 2.2 Durability (matings): >500
- 2.3 RoHS Compliant: Yes

3 Material & Finish

- 3.1 Pin contact: Beryllium-Copper, gold plated
- 3.2 Body: Stainless Steel (SU303), Passivated
- 3.3 Insulators: PEI

4 Interface Standards

- 4.1 2.92 MIL-STD-348A



Notes:

- 1. ALL SPECIFICATIONS ARE SUBJECT TO CHANGE NOTICE AT ANY TIME
- 2. CUSTOMER OUTLINE DRAWING FOR REFERENCE ONLY

DRAWN: T. Shihua 01/04/17 ENGINEER: C. Tao 01/04/17 APPROVED: W. Qiang 01/04/17 TOLERANCES UNLESS OTHERWISE SPECIFIED X ±0.50 X ±0.20 XX ±0.10 ANGLES ±1°	TITLE: RF Coaxial Connector 2.92mm Female Flange Conn. Terminal PART NO: 2.92-KFD5G	 www.rf-connector-china.com DIMENSION IN MILLIMETERS (mm)	
SIZE: A4	SCALE: N/A	SHEET: 1/1	REV: A