

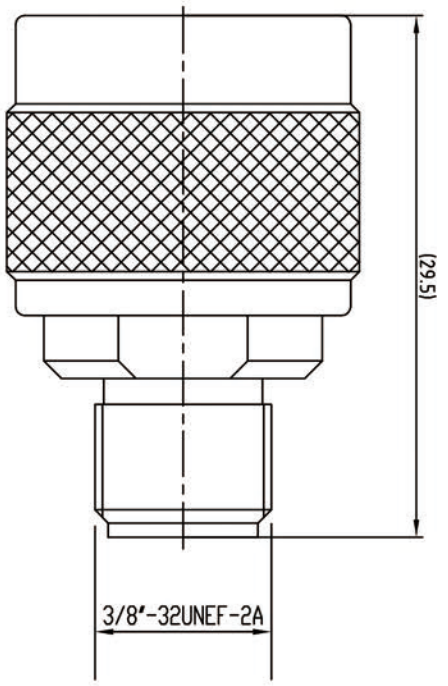
This document contains proprietary information and such information may not be disclosed to others for any purposes, not used for sales/marketing/procurement purposes without written permission

REV	DESCRIPTION OF REVISION	ECN NO.	BY	DATE	APPROVED
A	Initial Release		T.Shihua	2/6/16	2/6/16

- 1 Electrical
- 1.1 Impedance 50Ω
 - 1.2 Frequency DC-2GHz
 - 1.3 VSWR 1.3:1

- 2 Environmental&Mechanical
- 2.1 Temperature range -55℃~+165℃
 - 2.2 RoHS Compliant
 - 2.3 Durability >500 cycles

- 3 Materials&plating
- 3.1 Body: Brass, Nickel Plated
 - 3.2 Insulator: Teflon
 - 3.3 Contact Pin: Phosphor bronze, Gold plated



Notes:

- 1. ALL SPECIFICATIONS ARE SUBJECT TO CHANGE NOTICE AT ANY TIME
- 2. CUSTOMER OUTLINE DRAWING FOR REFERENCE ONLY

DRAWN: T.Shihua 2/6/16		TITLE:	
ENGINEER: C.Too 2/6/16		N/F-1K	
APPROVED: W.Qiang 2/6/16		N male to F Female Adapter	
TOLERANCES UNLESS OTHERWISE SPECIFIED		PART NO: TRL-NM-FF-9808	
X .450		SIZE: A4	
X .420		SCALE: N/A	
XX .430		SHEET: 1/1	
ANGLES .3°		REV: A	



www.trlconnector.com

DIMENSION IN MILLIMETERS (mm)