

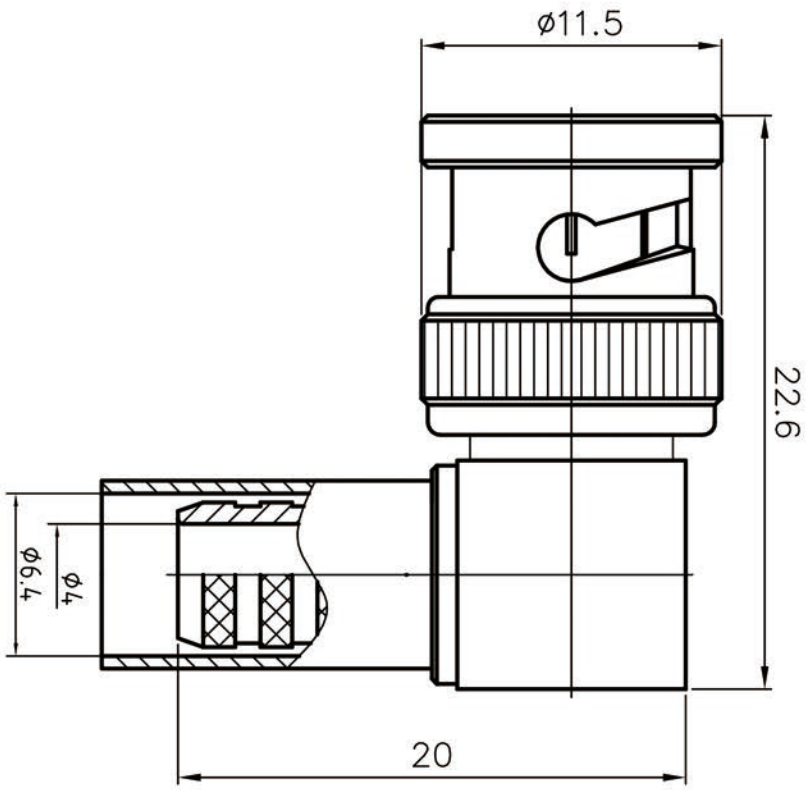
This document contains proprietary information and such information may not be disclosed to others for any purposes, not used for sales/marketing/procurement purposes without written permission

REV	DESCRIPTION OF REVISION	ECN NO.	BY	DATE	APPROVED
A	Initial Release		T.Shihua	26/9/13	26/9/13

- 1 Electrical
 - 1.1 Impedence 50Ω
 - 1.2 Dielectric withstanding voltage 1000V(volts RMS)
 - 1.3 Center contact resistance ≤ 3MΩ
 - 1.4 Outer contact resistance ≤ 2MΩ
 - 1.5 Insulation resistance: ≥5000MΩ

- 2 Environmental&Mechanical
 - 2.1 Temperature range -55℃~155℃
 - 2.2 RoHS Compliant
 - 2.3 Durability >500 cycles

- 3 Materials&plating
 - 3.1 Body: Brass, nickel plated
 - 3.2 Insulator: Teflon
 - 3.3 Contact Pin: Brass, Gold plated
 - 3.4 Coupling nut: Brass, nickel plated
 - 3.5 Washer: Beryllium copper, nickel plated
 - 3.6 Ferrule: Brass, nickel plated



Notes:

1. ALL SPECIFICATIONS ARE SUBJECT TO CHANGE NOTICE AT ANY TIME
2. CUSTOMER OUTLINE DRAWING FOR REFERENCE ONLY

DRAWN: T.Shihua 26/9/13		TITLE: Mini BNC-JW240Y		 www.rf-connector-china.com
ENGINEER: C.Too 26/9/13		Mini-BNC male Right Angle Connector For LMR240 cable		
APPROVED: W.Qiang 26/9/13		PART NO: TRL-Mini-BNQM-9260	SIZE: A4	SCALE: 1:1
TOLERANCES UNLESS OTHERWISE SPECIFIED				SHEET: 1/1
X	±0.20			REV: A
XX	±0.10			
	ANGLES 30°			