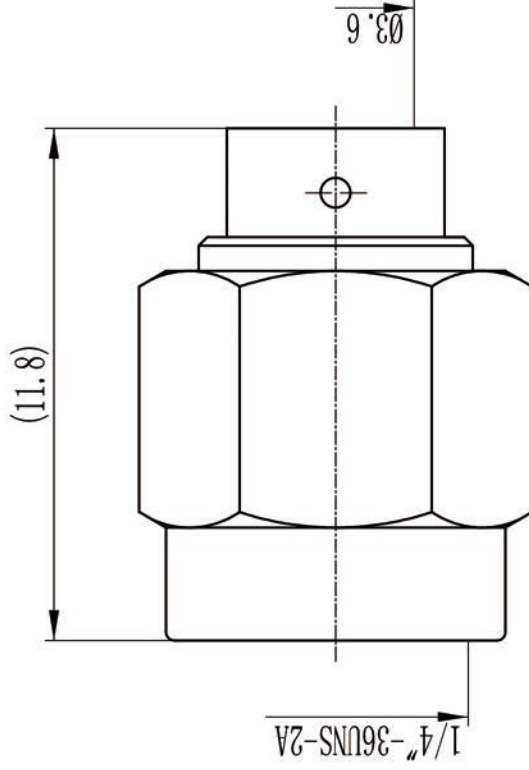


This document contains proprietary information and such information may not be disclosed to others for any purposes, not used for sales/marketing/procurement purposes without written permission

- 1 Electrical
  - 1.1 Impedence 50  $\Omega$
  - 1.2 Frequency DC~18GHz
  - 1.2 Dielectric withstanding voltage 1000V(volts RMS)
  - 1.3 Center contact resistance  $\leq 3M\Omega$
  - 1.4 Outer contact resistance  $\leq 2M\Omega$
  - 1.5 Insulation resistance:  $\geq 5000M\Omega$
  - 1.6 VSWR 1.25:1

- 2 Environmental&Mechanical
  - 2.1 Temperature range -45 $^{\circ}$ C~85 $^{\circ}$ C
  - 2.2 RoHs Compliant
  - 2.3 Durability >500 cycles

- 3 Materials&plating
  - 3.1 Body: Brass, Gold plated
  - 3.2 Insulator: Teflon
  - 3.3 Contact Pin: Brass Gold plated



**Notes:**

1. ALL SPECIFICATIONS ARE SUBJECT TO CHANGE NOTICE AT ANY TIME
2. CUSTOMER OUTLINE DRAWING FOR REFERENCE ONLY

REV	DESCRIPTION OF REVISION	ECN NO.	BY	DATE	APPROVED
A	Initial Release		T. Shihua	12/7/13	12/7/13

DRAWN: T. Shihua 12/07/13		TITLE:	
ENGINEER: C. Tao 12/07/13		RF Coaxial Connector	
APPROVED: W. Qiang 12/07/13		SMA Male Conn. For .141 Cable	
TOLERANCES UNLESS OTHERWISE SPECIFIED		www.rf-connector-china.com	
X	=0.50	DIMENSION IN MILLIMETERS (mm)	
X	=0.20	SCALE: N/A	
XX	=0.10	SIZE: A4	
ANGLES	=1 $^{\circ}$	SHEET: 1/1	
PART NO: ISMA-JB3		REV: A	