

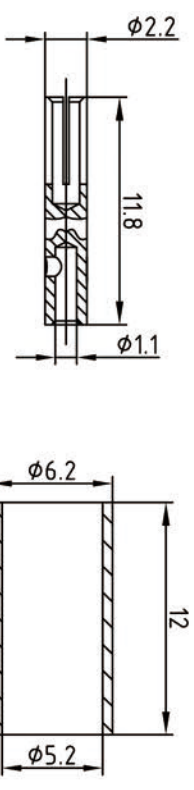
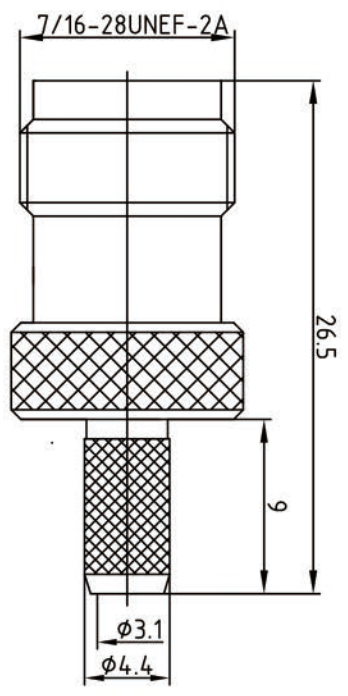
This document contains proprietary information and such information may not be disclosed to others for any purposes, not used for sales/marketing/procurement purposes without written permission


REV	DESCRIPTION OF REVISION	ECN NO.	BY	DATE	APPROVED
A	Initial Release		T.Holjun	26/02/09	26/02/09

- 1 Electrical**
- 1.1 Impedence: 50Ω
 - 1.2 Frequency: DC~11GHz
 - 1.3 Dielectric withstanding voltage: 1500V(volts RMS)
 - 1.4 Center contact resistance: ≤ 1.5MΩ
 - 1.5 Outer contact resistance: ≤ 0.2MΩ
 - 1.6 Insulation resistance: ≥ 5000MΩ

- 2 Environmental&Mechanical**
- 2.1 Temperature range: -40℃~+70℃
 - 2.2 RoHS Compliant
 - 2.3 Durability: >500 cycles

- 3 Materials&plating**
- 3.1 Body: Brass; Nickel plated
 - 3.2 Insulator: Teflon
 - 3.3 Contact Pin: Phosphor Bronze, Gold plated
 - 3.4 Ferrule: Copper, Nickel plated



DRAWN: T.Holjun 26/02/09	TITLE: TNC-K5Y	 www.rf-connector-china.com
ENGINEER: C.Too 26/02/09	TNC Female Conn. for RG58	
APPROVED: W.Qiang 26/02/09	Cable Cr:Imp	DIMENSION IN MILLIMETERS (mm)
TOLERANCES UNLESS OTHERWISE SPECIFIED X ±0.20 XX ±0.10 ANGLES 30°	PART NO: TRL-TNC2528504	
SIZE: A4 SCALE: N/A SHEET: 1/1 REV: A		

Notes:
 1. ALL SPECIFICATIONS ARE SUBJECT TO CHANGE NOTICE AT ANY TIME
 2. CUSTOMER OUTLINE DRAWING FOR REFERENCE ONLY