

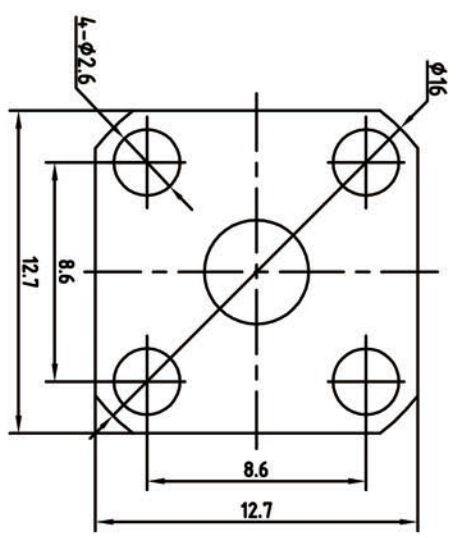
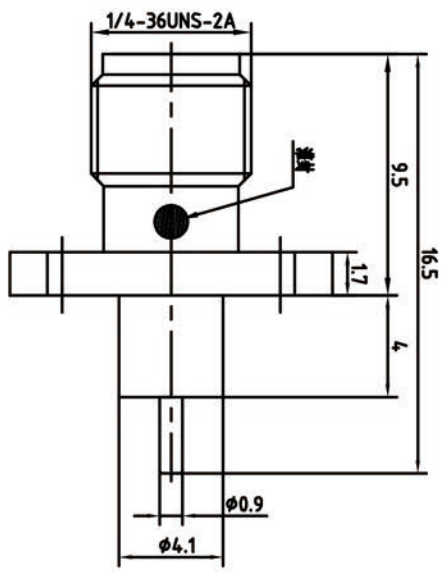
This document contains proprietary information and such information may not be disclosed to others for any purposes, not used for sales/marketing/procurement purposes without written permission



REV	DESCRIPTION OF REVISION	ECN NO.	BY	DATE	APPROVED
A	Initial Release		T.Holjun	12/7/08	12/7/08

- 1 Electrical**
- 1.1 Impedance 50Ω
  - 1.2 Frequency DC~18GHz
  - 1.3 Dielectric withstanding voltage 1000V(volts RMS)
  - 1.4 Center contact resistance ≤ 3MΩ
  - 1.5 Outer contact resistance ≤ 2MΩ
  - 1.6 Insulation resistance: ≥5000MΩ

- 2 Environmental&Mechanical**
- 2.1 Temperature range -55℃~155℃
  - 2.2 RoHs Compliant
  - 2.3 Durability >500 cycles

- 3 Materials&plating**
- 3.1 Body: Brass, Gold plated
  - 3.2 Insulator: Teflon
  - 3.3 Contact Pin: Beryllium Copper Gold plated



DRAWN: T.Holjun 12/07/08	TITLE: SMA-KFD5B	 www.rf-connector-china.com
ENGINEER: C.Too 12/07/08	SMA Female Flange Conn. Terminal	
APPROVED: W.Qiang 12/07/08	PART NO: TRL-SMA1721022	SIZE: A4
TOLERANCES UNLESS OTHERWISE SPECIFIED X ±0.50 XX ±0.20 ANGLES 30°	 DIMENSION IN MILLIMETERS (mm)	SCALE: 1:1
		SHEET: 1/1
		REV: A

Notes:  
 1. ALL SPECIFICATIONS ARE SUBJECT TO CHANGE NOTICE AT ANY TIME  
 2. CUSTOMER OUTLINE DRAWING FOR REFERENCE ONLY