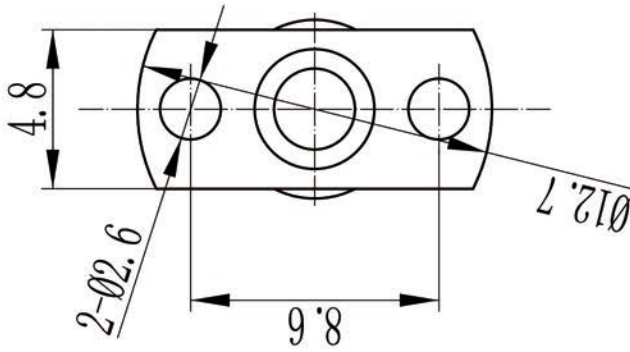
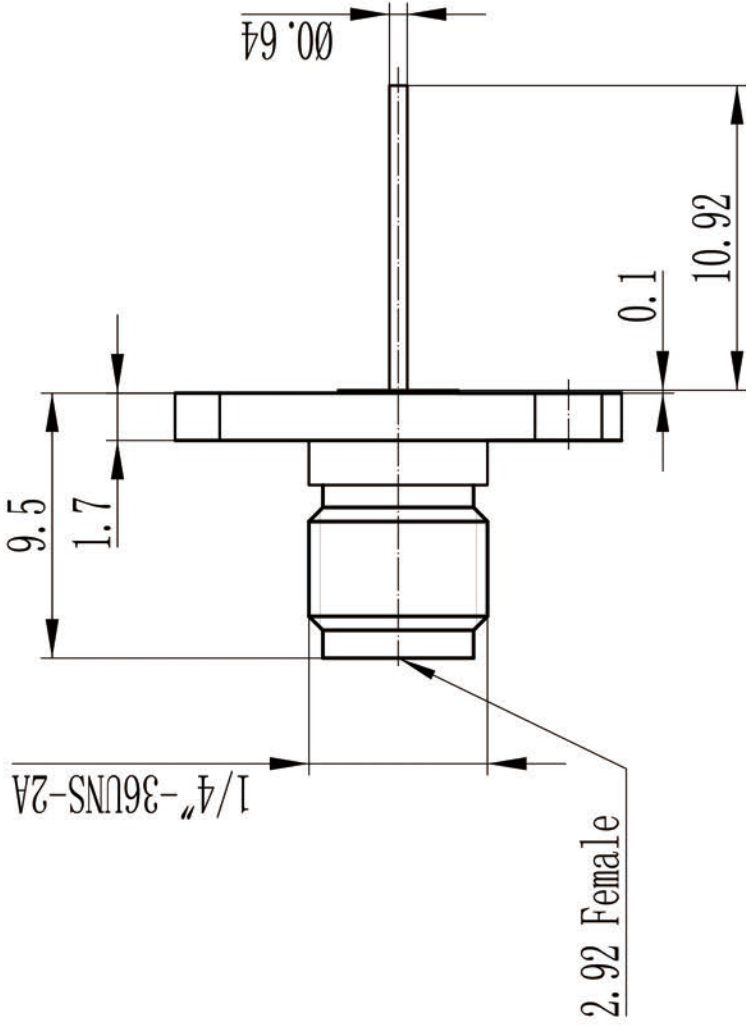


This document contains proprietary information and such information may not be disclosed to others for any purposes, not used for sales/marketing/procurement purposes without written permission

REV	DESCRIPTION OF REVISION	ECN NO.	BY	DATE	APPROVED
A	Initial Release		T. Shihua	15/11/17	15/11/17



技术要求:

- 1 电气性能
 - 1.1 特性阻抗: 50 欧姆
 - 1.2 频率: DC-40GHz
 - 1.3 驻波比: 1.20:1

- 2 材料及涂覆
 - 2.1 外壳: 不锈钢; 钝化
 - 2.2 绝缘介质: PEI
 - 2.3 内导体: 镀青铜, 镀金

Notes:

1. ALL SPECIFICATIONS ARE SUBJECT TO CHANGE NOTICE AT ANY TIME
2. CUSTOMER OUTLINE DRAWING FOR REFERENCE ONLY

DRAWN : T. Shihua 15/11/17	TITLE: RF Coaxial Connector		www.rf-connector-china.com
ENGINEER: C. Tao 15/11/17	2.92mm female Flange Mount		DIMENSION IN MILLIMETERS (mm)
APPROVED : W. Qiang 15/11/17	2.92-KFD0.64g		SCALE: N/A
TOLERANCES UNLESS OTHERWISE SPECIFIED	SIZE: A4		SHEET: 1/1
X ±0.50	PART NO: 2.92-KFD0.64g		REP: A
.X ±0.20			
.XX ±0.10			
ANGLES ±1°			