

This document contains proprietary information and such information may not be disclosed to others for any purposes, not used for sales/marketing/procurement purposes without written permission

REV	DESCRIPTION OF REVISION	ECN NO.	BY	DATE	APPROVED
A	Initial Release	—	T. Shihua	1/8/14	1/8/14

### 1 Electrical

- 1.1 Impedance: 50 Ω
- 1.2 Frequency: DC-26.5GHz
- 1.3 VSWR: 1.25:1

### 2 Mechanical & Environmental

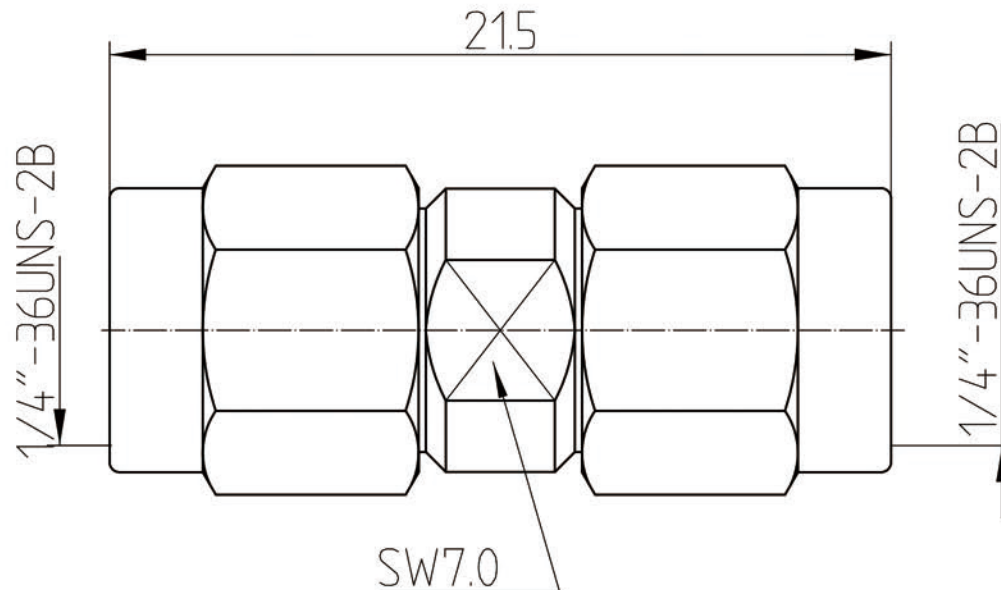
- 2.1 Temperature range -45°C ~ +85°C
- 2.2 Durability (matings) >500
- 2.3 RoHS Compliant Yes

### 3 Material & Finish

- 3.1 Pin contact: Beryllium-Copper, gold plated
- 3.2 Body: Stainless Steel (SU303), Passivated
- 3.3 Insulators: PEI



### 4 Interface Standards

- 4.1 3.5 IEC60169
- 4.2 SMA MIL-STD-348A



**Notes:**

- 1. ALL SPECIFICATIONS ARE SUBJECT TO CHANGE NOTICE AT ANY TIME
- 2. CUSTOMER OUTLINE DRAWING FOR REFERENCE ONLY

DRAWN : T. Shihua 1/8/14 ENGINEER: C. Tao 1/8/14 APPROVED : W. Qiang 1/8/14	<b>TITLE:</b>  Precision Adapter  SMA Male to 3.5 Male	 <a href="http://www.rf-connector-china.com">www.rf-connector-china.com</a>   DIMENSION IN MILLIMETERS (mm)
<b>TOLERANCES UNLESS OTHERWISE SPECIFIED</b> X ±0.50 X ±0.20 XX ±0.10 ANGLES ±1°	<b>PART NO:</b> SMA/3.5-JJG	