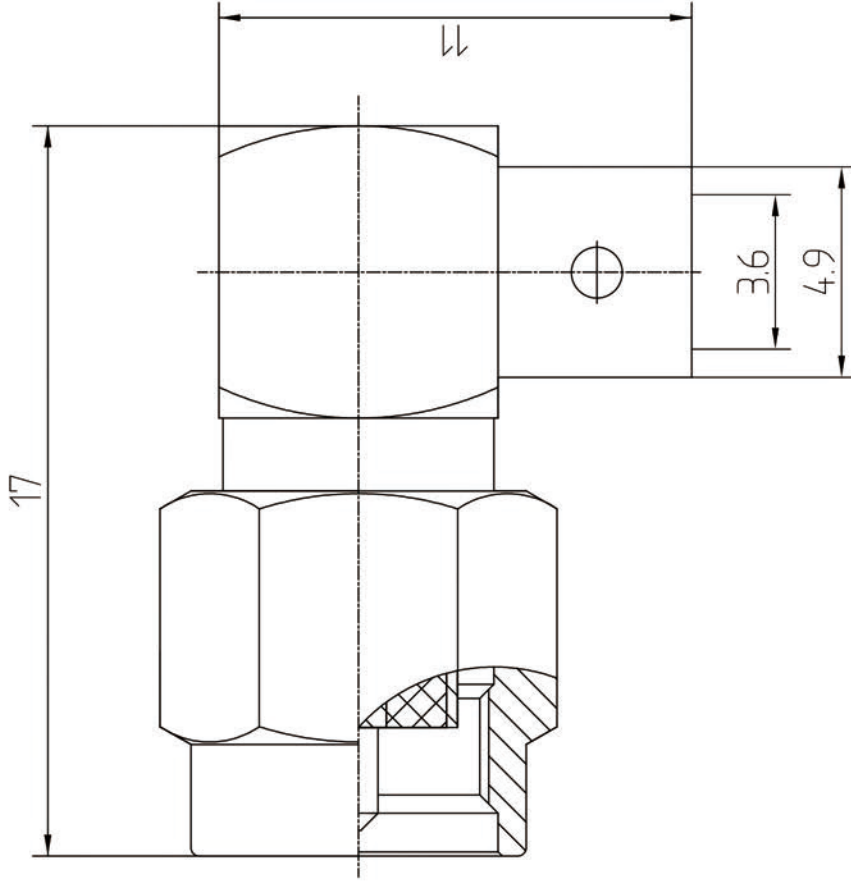


This document contains proprietary information and such information may not be disclosed to others for any purposes, not used for sales/marketing/procurement purposes without written permission

- 1 Electrical
- 1.1 Impedance 50 Ω
- 1.2 Frequency DC ~6GHz
- 1.3 Dielectric withstanding voltage 1000V(volts RMS)
- 1.4 Center contact resistance $\leq 3M\Omega$
- 1.5 Outer contact resistance $\leq 2M\Omega$
- 1.6 Insulation resistance: $\geq 5000M\Omega$
- 1.7 VSWR ≤ 1.3

- 2 Environmental & Mechanical
- 2.1 Temperature range $-45^{\circ}\text{C} \sim +85^{\circ}\text{C}$
- 2.2 RoHS Compliant
- 2.3 Durability >500 cycles

- 3 Materials & Plating
- 3.1 Body: Brass; Gold Plated
- 3.2 Insulator: Teflon
- 3.3 Contact Pln: Brass, gold plated
- 3.4 Nut: Stainless Steel, Passivated
- 3.5 Gasket: Silicon Rubber



REV	DESCRIPTION OF REVISION	ECN NO.	BY	DATE	APPROVED
A	Initial Release		T.Haiyum	25/03/07	25/03/07

DRAWN: T. Haiyum 25/03/07	TITLE: RF Coaxial Connector		www.rf-connector-china.com	
ENGINEER: C. Tao 25/03/07	SMA Male R/A Conn. for .141 Cable			
APPROVED: W. Qiang 25/03/07	DIMENSION IN MILLIMETERS (mm)			
TOLERANCES UNLESS OTHERWISE SPECIFIED	SCALE: N/A			
X ± 0.50	SIZE: A4			
X ± 0.20	SHEET: 1/1			
XX ± 0.10	REV: A			
ANGLES $\pm 1^{\circ}$	PART NO: SMA-JWB3W			

- Notes:
- 1. ALL SPECIFICATIONS ARE SUBJECT TO CHANGE NOTICE AT ANY TIME
 - 2. CUSTOMER OUTLINE DRAWING FOR REFERENCE ONLY