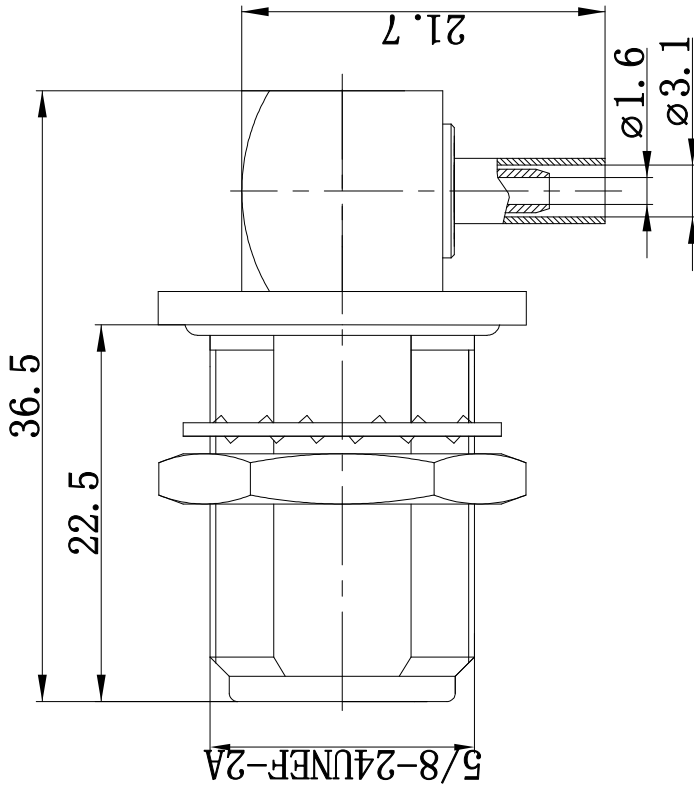
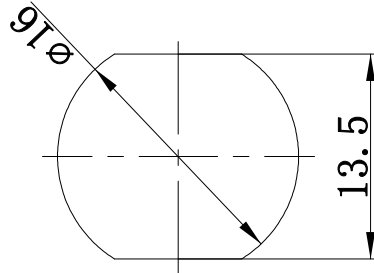


This document contains proprietary information and such information may not be disclosed to others for any purposes, not used for sales/marketing/procurement purposes without written permission



Recommended Mounting Hole



1 Electrical



- 1.1 Impedance: 50Ω
- 1.2 Frequency: 0-6GHz
- 1.3 Insulation resistance: $\geq 5000M\Omega$
- 1.4 Dielectric strength: 1500V
- 1.5 Contact resistance
 - Center contact $\leq 1m\Omega$
 - Outer contact $\leq 0.2m\Omega$

2 Materials&Finish

- 2.1 Inner Contact: Bronze, Gold plated
- 2.2 Outer Contact: Brass, Nickel plated
- 2.3 Insulators: PTFE

REV	DESCRIPTION OF REVISION	TRD. NO.	BY	DATE	APPROVED
A	Initial Release		T. Shihua	29/9/16	29/9/16

DRAWN: T. Shihua 29/9/16	TITLE: RF Coaxial Connector
ENGINEER: C. Tao 29/9/16	N Female Bulkhead R/A Conn. For RG316 Cable
APPROVED: H. Qiang 29/9/16	
TOLERANCES UNLESS OTHERWISE SPECIFIED	
X ±0.50	
.X ±0.20	
.XX ±0.10	
ANGLES ±1°	

		www.rf-connector-china.com	
		DIMENSION IN MILLIMETERS (mm)	
SIZE: A4	SCALE: N/A	SHEET: 1/1	REV: A

Notes:

- 1. ALL SPECIFICATIONS ARE SUBJECT TO CHANGE NOTICE AT ANY TIME
- 2. CUSTOMER OUTLINE DRAWING FOR REFERENCE ONLY