

RoHS Compliant

Electrical

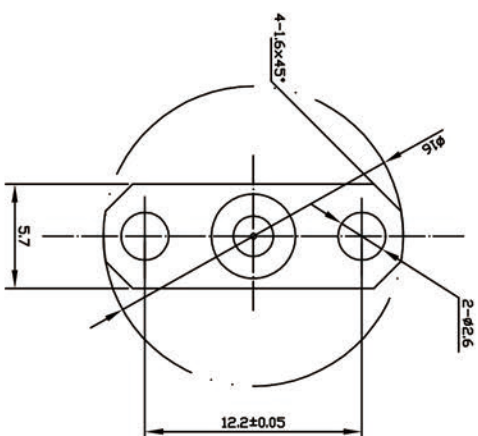
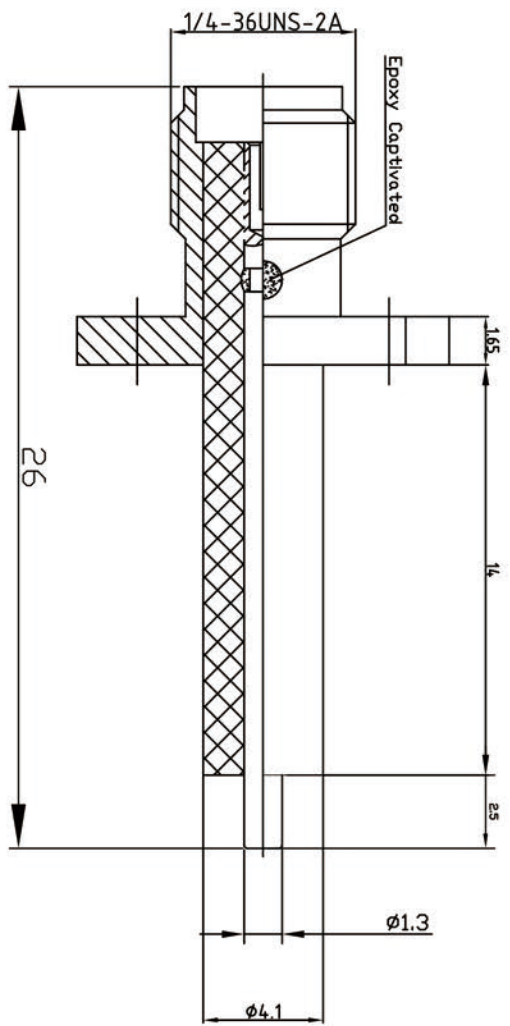
1. Impedance: 50Ω
2. Frequency range: 0-18GHz
3. VSWR: 1.3 max
4. Working voltage: ≤250V
5. Dielectric withstanding voltage: ≥750V
6. Insulation resistance: ≥1000MΩ
7. Center Contact resistance: ≤3.0mΩ
8. Outer contact resistance: ≤2.0mΩ
9. Insertion loss: 0.1dB

Material&Finish

1. Inner Conductor: Beryllium-copper, gold plated
2. Outer conductor: Brass, Gold Plated
3. Insulators: PTFE

Environmental

1. RoHS Compliant
2. 96Hrs Salt Spray



1									
ITEM NO.	DESCRIPTION	SCALE	TRL TYPE	QTY	REMARKS				
DESIGNED	Tomson Tang	4:1			SMA-KFD710				
CHECKED	Jason Ding	A							
APPROVED	Teresa Ren	SHEET		1/1					
			PARTS NO.		TRL12.011.229				
			DATE		2012.11.22				



www.rf-connector-china.com