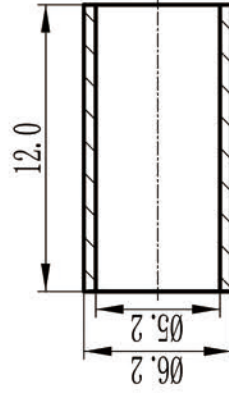
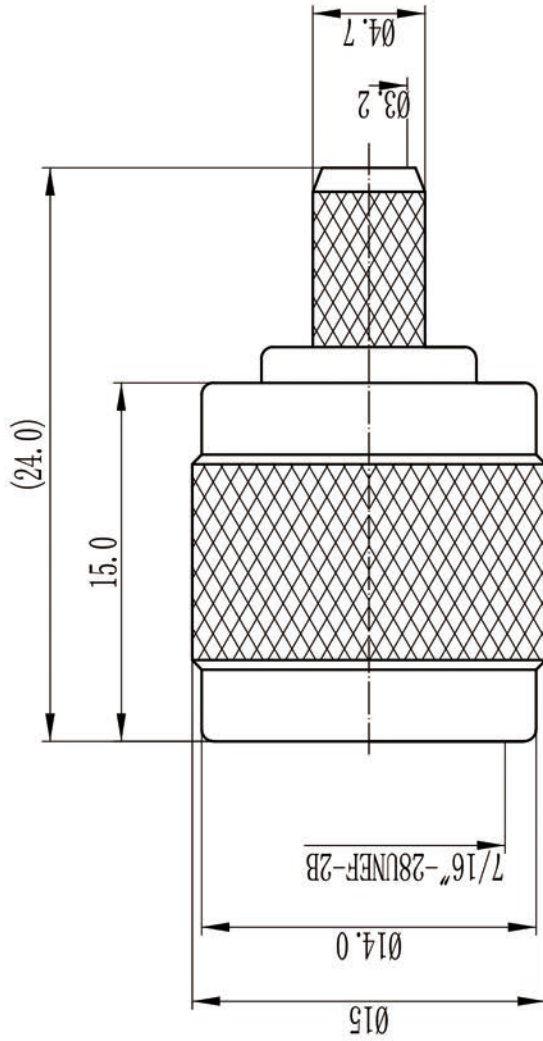


This document contains proprietary information and such information may not be disclosed to others for any purposes, not used for sales/marketing/procurement purposes without written permission

- 1 Electrical
 - 1.1 Impedence 50 Ω
 - 1.2 Frequency DC ~6GHz
 - 1.3 Dielectric withstanding voltage 1500V(volts RMS)
 - 1.4 Center contact resistance $\leq 15M\Omega$
 - 1.5 Outer contact resistance $\leq 0.2M\Omega$
 - 1.6 Insulation resistance: $\geq 5000M\Omega$
- 2 Environmental & Mechanical
 - 2.1 Temperature range -45 $^{\circ}$ ~ +125 $^{\circ}$
 - 2.2 RoHs Compliant
 - 2.3 Durability >500 cycles



- 3 Materials & plating
 - 3.1 Body: Brass; Nickel plated
 - 3.2 Insulator: Teflon
 - 3.3 Contact Pin: Brass, Gold plated
 - 3.4 Coupling Nut: Brass, Nickel plated
 - 3.5 Gasket: Silicon Rubber (red color)



REV	DESCRIPTION OF REVISION	ECN NO.	BY	DATE	APPROVED
A	Initial Release		T. Haiyun	21/05/08	21/05/08

Notes:

1. ALL SPECIFICATIONS ARE SUBJECT TO CHANGE NOTICE AT ANY TIME
2. CUSTOMER OUTLINE DRAWING FOR REFERENCE ONLY

DRAWN : T. Haiyun 21/05/08	TITLE: RF Coaxial Connector		 www.rf-connector-china.com
ENGINEER: C. Tao 21/05/08	TNC Male Conn. for RG58 Cable		
APPROVED : W. Qiang 21/05/08	Crimp		 DIMENSION IN MILLIMETERS (mm)
TOLERANCES UNLESS OTHERWISE SPECIFIED			
X +0.50			SIZE: A4 SCALE: N/A SHEET: 1/1 REF: A
XX +0.20			
ANGLES \neq 90 $^{\circ}$			