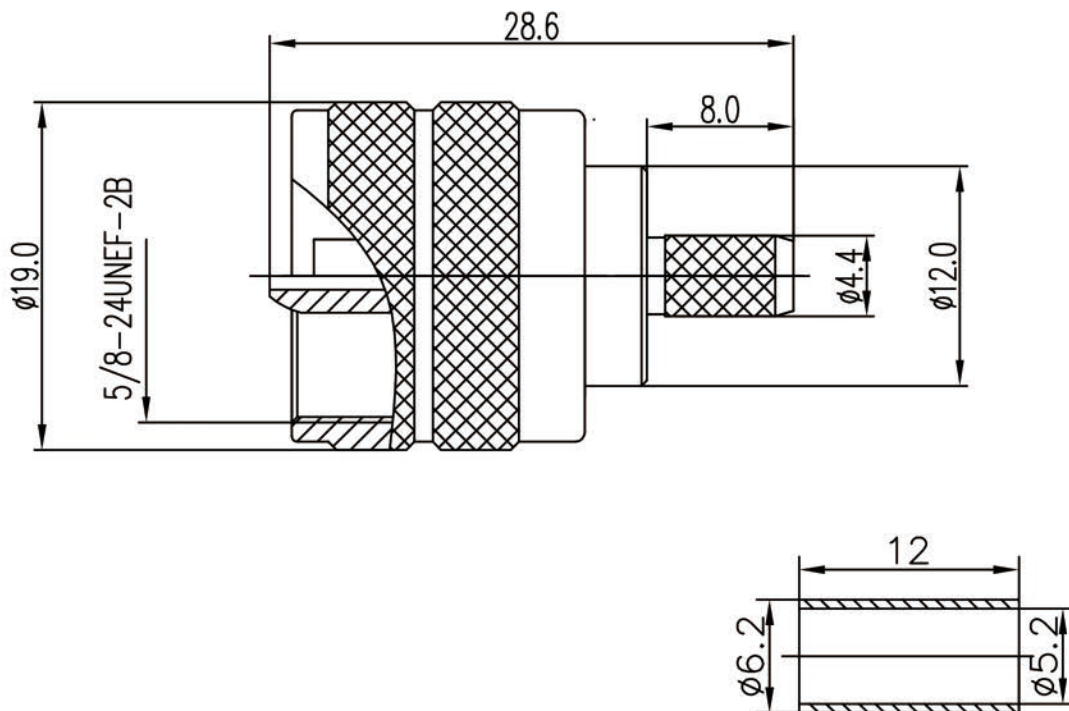


This document contains proprietary information and such information may not be disclosed to others for any purposes, nor used for sales/marketing/procurement purposes without written permission



Electrical Characteristics:

1. Frequency range: DC~300MHz

2. Contact resistance

Center conductor: 1.0 MΩ

Out conductor: 0.2 MΩ

3. Insulation resistance: 300 MΩ

4. Insulator withstanding: 750V

5. Durability: 500cycles

Application: GJB681A(MIL-C-39012)

Material&Finishing

1. Center contact: Brass, gold plated

2. Body : brass, nickel plated

3. Insulators: PTFE

Cable code: RG58/U

FIRST ANGLE PROJECTION		SCALE
THIRD ANGLE PROJECTION		2.5:1
	NAME	DATE
DRAWN	Tomson Tang	13-Feb-12
CHECKED	Mike Wang	13-Feb-12
APPROVED	Teresa Ma	13-Feb-12

UHF-J5Y
RF Coaxial Connector

UNITS
mm
REV
V1.0

UNLESS OTHERWISE SPECIFIED
DIMENSIONS ARE mm, TOLERANCES ARE:
FRACTIONS DECIMALS ANGLES
.X± .20± 1°
.XX± .10
.XXX±



www.rf-connector-china.com