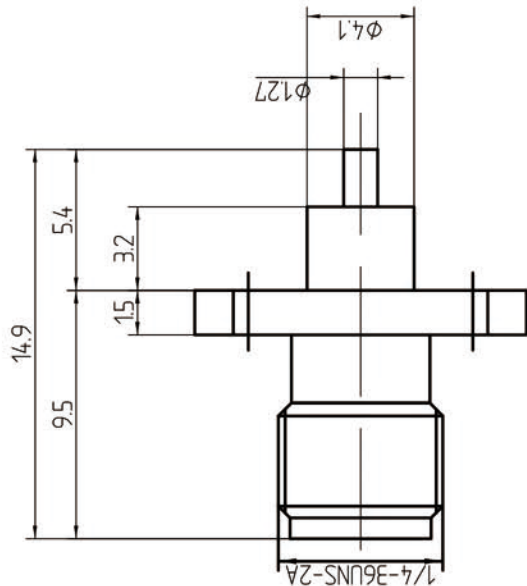


This document contains proprietary information and such information may not be disclosed to others for any purposes, not used for sales/marketing/procurement purposes without written permission

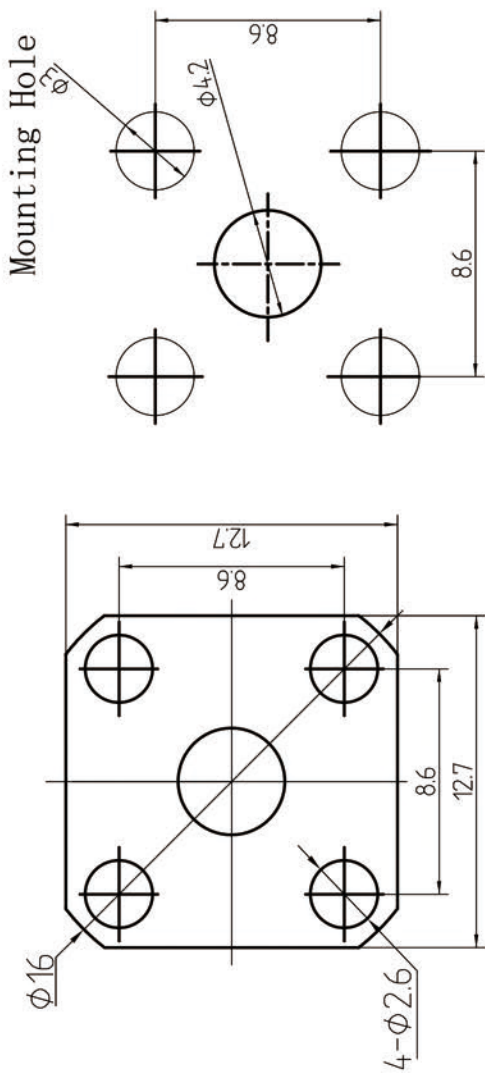
| REV | DESCRIPTION OF REVISION | ECN NO. | BY        | DATE     | APPROVED |
|-----|-------------------------|---------|-----------|----------|----------|
| A   | Initial Release         |         | T. Haiyun | 15/09/17 | 15/09/17 |



- 1 Electrical
  - 1.1 Impedance 50 Ω
  - 1.2 Frequency DC ~ 18GHz
  - 1.3 VSWR 1.2 : 1



- 2 Environmental & Mechanical
  - 2.1 Temperature range -45°C ~ 85°C
  - 2.2 RoHS Compliant
  - 2.3 Durability > 500 cycles

- 3 Materials & Plating
  - 3.1 Body: Brass, Gold plated
  - 3.2 Insulator: Teflon
  - 3.3 Contact Pin: Bronze, Gold plated



**Notes:**

- 1. ALL SPECIFICATIONS ARE SUBJECT TO CHANGE NOTICE AT ANY TIME
- 2. CUSTOMER OUTLINE DRAWING FOR REFERENCE ONLY

|                                       |                                  |            |  |
|---------------------------------------|----------------------------------|------------|--|
| DRAWN : T. Haiyun 15/09/17            | TITLE: RF Coaxial Connector      |            | <br>www.rf-connector-china.com    |
| ENGINEER: C. Tao 15/09/17             | SMA Female Flange Conn. Terminal |            |  |
| APPROVED : W. Qiang 12/07/08          | PART NO: SM-RFD1049              |            | <br>DIMENSION IN MILLIMETERS (mm) |
| TOLERANCES UNLESS OTHERWISE SPECIFIED | SCALE: N/A                       |            |  |
| X +0.50                               | SIZE: A4                         | SHEET: 1/1 | REF: A   |
| X +0.20                               | SIZE: A4                         |            | REF: A   |
| XX +0.10                              | SIZE: A4                         |            | REF: A   |
| ANGLES ±1°                            | SIZE: A4                         |            | REF: A   |