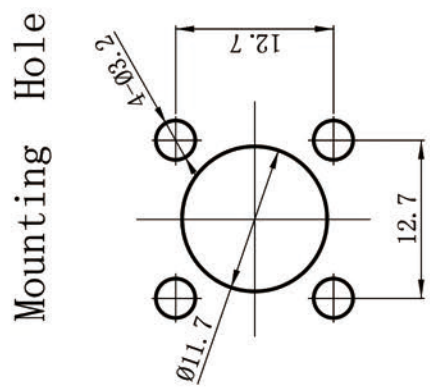
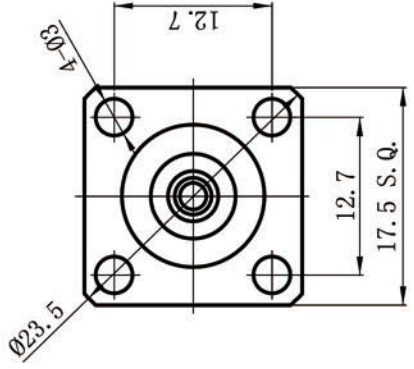
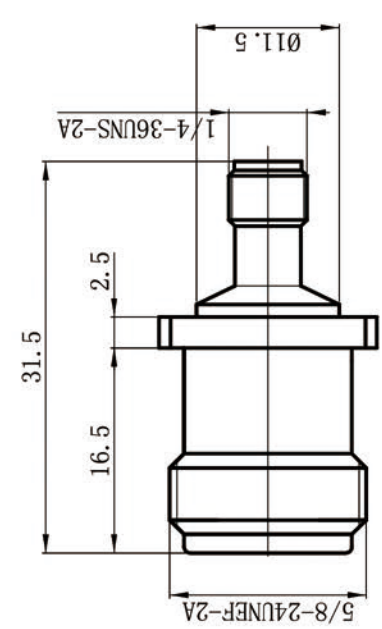


REVISION		DATE
REV	DESCRIPTION	



- 1 Electrical
- 1.1 Impedance 50 Ω
 - 1.2 Frequency 0~6GHz
 - 1.3 Dielectric withstanding voltage 1000V (volts RMS)
 - 1.4 Center contact resistance $\leq 3M\Omega$
 - 1.5 Outer contact resistance $\leq 2M\Omega$
 - 1.6 Insulation resistance: $\geq 5000M\Omega$


- 2 Environmental & Mechanical
- 2.1 Temperature range -45°C~125°C
 - 2.2 RoHS Compliant
 - 2.3 Durability >500 cycles

- 3 Materials & Plating
- 3.1 Body: Brass, nickel plated
 - 3.2 Insulator: Teflon
 - 3.3 Contact Pin: Phosphor Bronze, Gold plated

RoHS
Compliance

NO.	INSULATOR	1	TEFLON	REMARKS
2	CONTACT	1	Phosphor Gold Plate	
1	BODY	1	BRASS Gold Plate	
NO.	DESCRIPTION	Q'TY	MATERIAL	PLATING

DATE	23-Apr-18
APPROVED BY	Xin Li
CHECKED BY	Super-Way
DRAWN BY	Fei Wang
SCALE	5/1
UNIT	mm
WEIGHT	—
A4 SHEET	

CUSTOMER	
CUSTOMER CODE	
	
TITLE: N/SMA-KFK1B <small>www.rf-connect.com</small>	
DWG NO.	