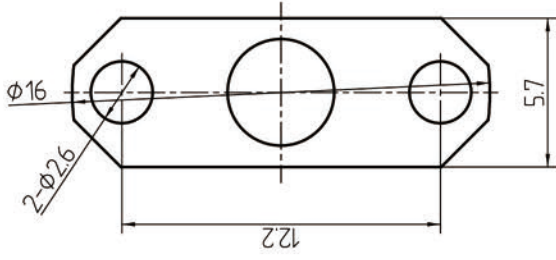
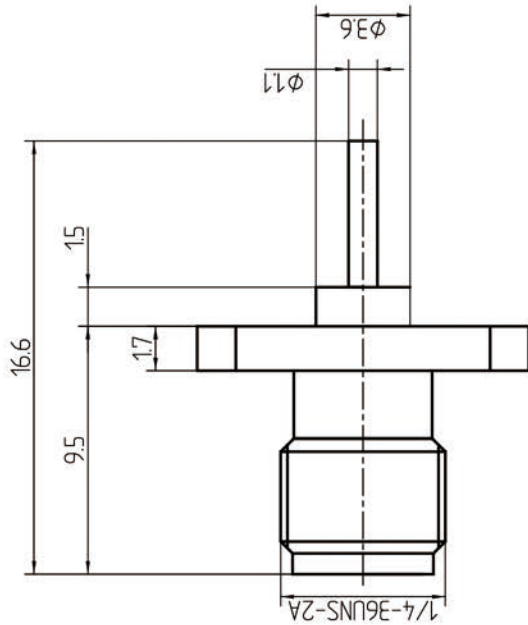
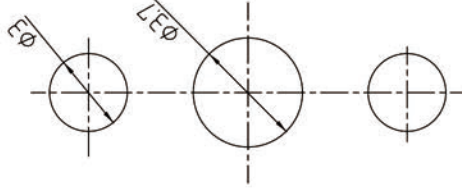


This document contains proprietary information and such information may not be disclosed to others for any purposes, not used for sales/marketing/procurement purposes without written permission



Mounting Hole



- 1 Electrical
 - 1.1 Impedance 50 Ω
 - 1.2 Frequency DC~6GHz
 - 1.2 Dielectric withstanding voltage 1000V(volts RMS)
 - 1.3 Center contact resistance ≤ 3MΩ
 - 1.4 Outer contact resistance ≤ 2MΩ
 - 1.5 Insulation resistance: ≥5000MΩ
 - 1.6 VSWR 1.2max

- 2 Environmental&Mechanical
 - 2.1 Temperature range -45℃~85℃
 - 2.2 RoHS Compliant
 - 2.3 Durability >500 cycles

- 3 Materials&plating
 - 3.1 Body: Brass, Gold plated
 - 3.2 Insulator: Teflon
 - 3.3 Contact Pin: Beryllium-copper, Gold plated

Notes:

1. ALL SPECIFICATIONS ARE SUBJECT TO CHANGE NOTICE AT ANY TIME
2. CUSTOMER OUTLINE DRAWING FOR REFERENCE ONLY

REV	DESCRIPTION OF REVISION	ECN NO.	BY	DATE	APPROVED
A	Initial Release		T.Haiyum	15/09/17	15/09/17

DRAWN: T. Haiyum 15/09/17
ENGINEER: C. Tao 15/09/17
APPROVED: W. Qi 12/07/08
TOLERANCES UNLESS OTHERWISE SPECIFIED
X ±0.50
X ±0.20
XX ±0.10
ANGLES ±1°

TITLE:	
RF Coaxial Connector	www.rf-connector-china.com
SMA Female Flange Conn. Terminal	
PART NO: SMA-NFD1044	

SIZE: A4	SCALE: N/A
SHEET: 1/1	REV: A
DIMENSION IN MILLIMETERS (mm)	