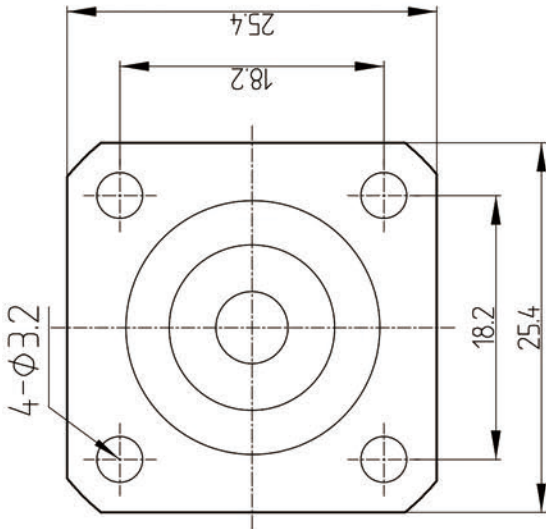


This document contains proprietary information and such information may not be disclosed to others for any purposes, not used for sales/marketing/procurement purposes without written permission

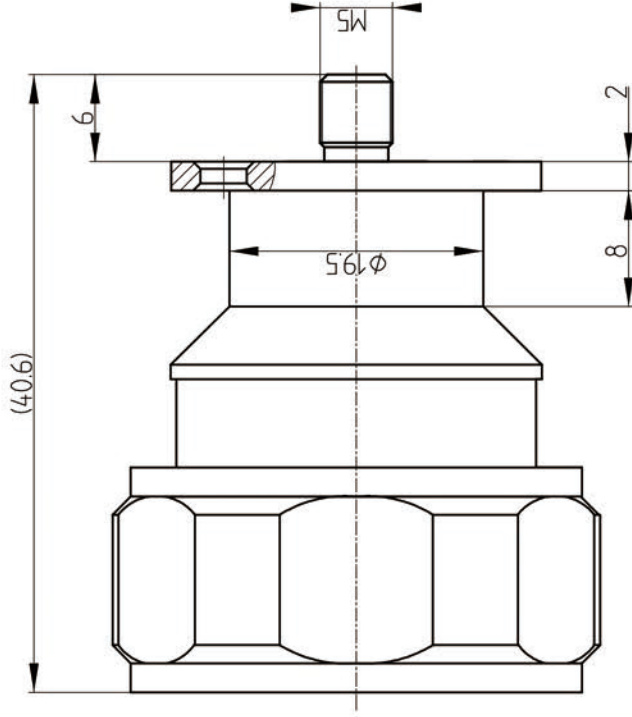
| REV | DESCRIPTION OF REVISION | ECN NO. | BY | DATE | APPROVED |
|-----|-------------------------|---------|-----------|----------|----------|
| A | Initial Release | | T. Shihua | 09/02/17 | 09/02/17 |



- 1 Electrical
 - 1.1 Impedance 50 Ω
 - 1.2 Frequency 0~3GHz
 - 1.3 VSWR 1.20:1
 - 1.4 Insulation Resistance >10000MΩ
 - 1.5 Dielectric Withstanding Voltage 4000V rms(AC)
 - 1.6 Pim Requirement -160dBc
- 2 Environmental&Mechanical
 - 2.1 Temperature range -45℃~85℃
 - 2.2 RoHS Compliant
 - 2.3 Durability >500 cycles
 - 2.4 Mechanical Shock Test Method MIL-STD-202, Method 213, Test Condition D
 - 2.5 Vibration Test Method MIL-STD-202, Meth. 204, Cond. A
 - 2.6 RoHS Compliant
- 3 Materials&plating
 - 3.1 Body: Brass, Suco-plating
 - 3.2 Insulator: Teflon
 - 3.3 Contact Ph: Phosphor Bronze, Silver plating
 - 3.4 Gasket: Silicon Rubber
 - 3.5 Nut: Brass/Nickel Plating

Notes:

- 1. ALL SPECIFICATIONS ARE SUBJECT TO CHANGE NOTICE AT ANY TIME
- 2. CUSTOMER OUTLINE DRAWING FOR REFERENCE ONLY



| | | |
|--|--|---|
| DRAWN: T. Shihua 09/02/17 ENGINEER: C. Tao 09/02/17 APPROVED: W. Qi 09/02/17 TOLERANCES UNLESS OTHERWISE SPECIFIED X ±0.50 XX ±0.20 ANGLES ±1° | TITLE: RF Coaxial Connector Din Male Flange Connector Receptacle | www.rf-connector-china.com DIMENSION IN MILLIMETERS (mm) |
| PART NO: Din-JFD62A | SCALE: A4 N/A | SHEET: 1/1 REV: A |