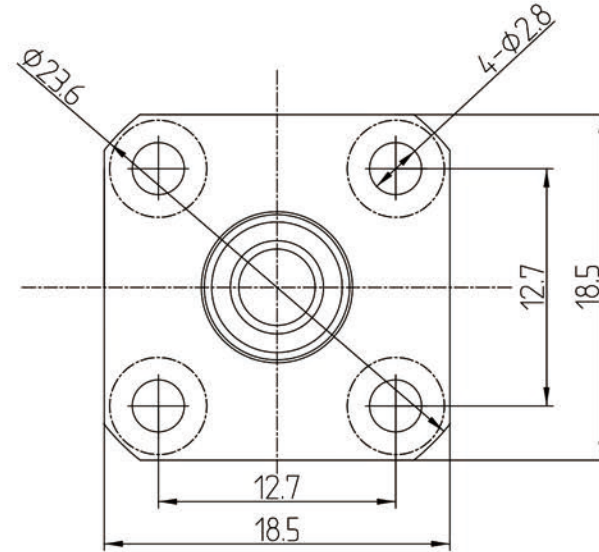
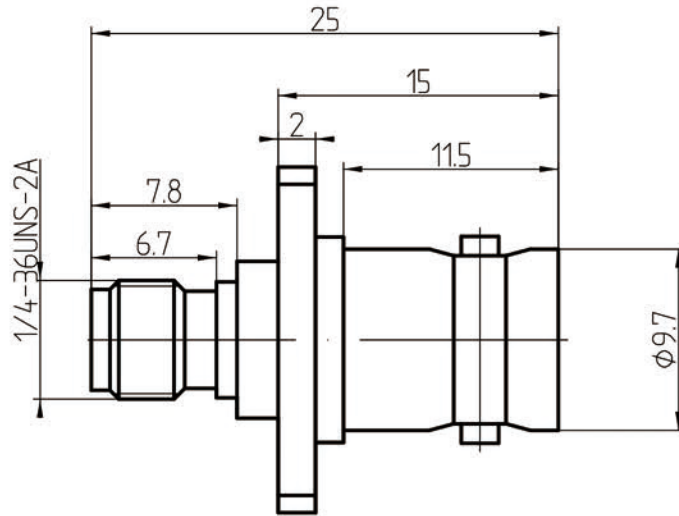


This document contains proprietary information and such information may not be disclosed to others for any purposes, not used for sales/marketing/procurement purposes without written permission

REV	DESCRIPTION OF REVISION	ECN NO.	BY	DATE	APPROVED
A	Initial Release	—	T. Shihua	09/07/15	09/07/15



1 Electrical

- 1.1 Impedance: 50 Ω
- 1.2 Frequency: DC-4GHz
- 1.3 Dielectric withstanding voltage: 100V(volts RMS)
- 1.4 Center contact resistance: ≤ 3MΩ
- 1.5 Outer contact resistance: ≤ 2MΩ
- 1.6 Insulation resistance: ≥5000MΩ

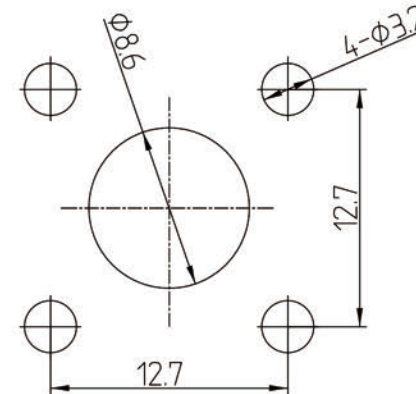
2 Environmental&Mechanical

- 2.1 Temperature range: -45℃~85℃
- 2.2 RoHs Compliant
- 2.3 Durability: >500 cycles

3 Materials&plating


- 3.1 Body: Brass, Nickel plated
- 3.2 Insulator: Teflon
- 3.3 Contact Pin: Phosphor Bronze, Gold plated

Recommended Mounting Hole



Notes:

- 1. ALL SPECIFICATIONS ARE SUBJECT TO CHANGE NOTICE AT ANY TIME
- 2. CUSTOMER OUTLINE DRAWING FOR REFERENCE ONLY

DRAWN : T. Shihua 09/07/15 ENGINEER: C. Tao 09/07/15 APPROVED : W. Qiang 09/07/15	TITLE: RF Adaptor BNC Female to SMA Female Flange Adaptor	 www.rf-connector-china.com
TOLERANCES UNLESS OTHERWISE SPECIFIED X ±0.50 .X ±0.20 .XX ±0.10 ANGLES ±1°	SIZE: A4 SCALE: N/A SHEET: 1/1 REV: A	

