

This document contains proprietary information and such information may not be disclosed to others for any purposes, not used for sales/marketing/procurement purposes without written permission

REV	DESCRIPTION OF REVISION	ECN NO.	BY	DATE	APPROVED
A	Initial Release	—	T. Shihua	14/9/13	14/9/13

**1 Electrical**

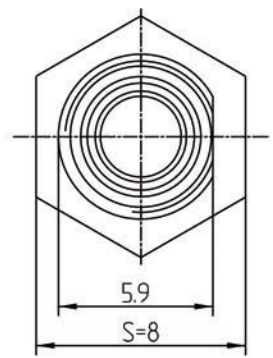
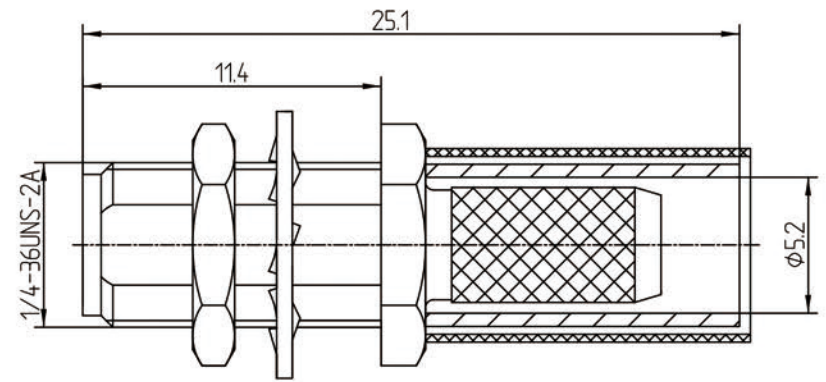
- 1.1 Impedence 50Ω
- 1.2 Frequency 0~6GHz
- 1.3 Dielectric withstanding voltage 1000V(volts RMS)
- 1.4 Center contact resistance ≤ 3MΩ
- 1.5 Outer contact resistance ≤ 2MΩ
- 1.6 Insulation resistance: ≥5000MΩ

**2 Environmental&Mechanical**

- 2.1 Temperature range -45℃~85℃
- 2.2 RoHs Compliant
- 2.3 Durability >500 cycles



**3 Materials&Finish**

- 3.1 Body: Brass, Gold Plated
- 3.2 Insulator: Teflon
- 3.3 Contact Pin: Bronze, Gold plated
- 3.4 Washer: Brass, Gold plated
- 3.5 Hex Nut: Brass, Gold plated



**Notes:**

- 1. ALL SPECIFICATIONS ARE SUBJECT TO CHANGE NOTICE AT ANY TIME
- 2. CUSTOMER OUTLINE DRAWING FOR REFERENCE ONLY

DRAWN : T. Shihua 14/9/13 ENGINEER: C. Tao 14/9/13 APPROVED : W. Qiang 14/9/13 TOLERANCES UNLESS OTHERWISE SPECIFIED X ±0.50 X ±0.20 XX ±0.10 ANGLES ±1°	<b>TITLE:</b> RF Coaxial Connector SMA Female bulkhead Conn. For RG58 cable PART NO: SMA-KY5	 <a href="http://www.rf-connector-china.com">www.rf-connector-china.com</a>  DIMENSION IN MILLIMETERS (mm) SIZE: A4    SCALE: N/A    SHEET: 1/1    REV: A
---	--	---