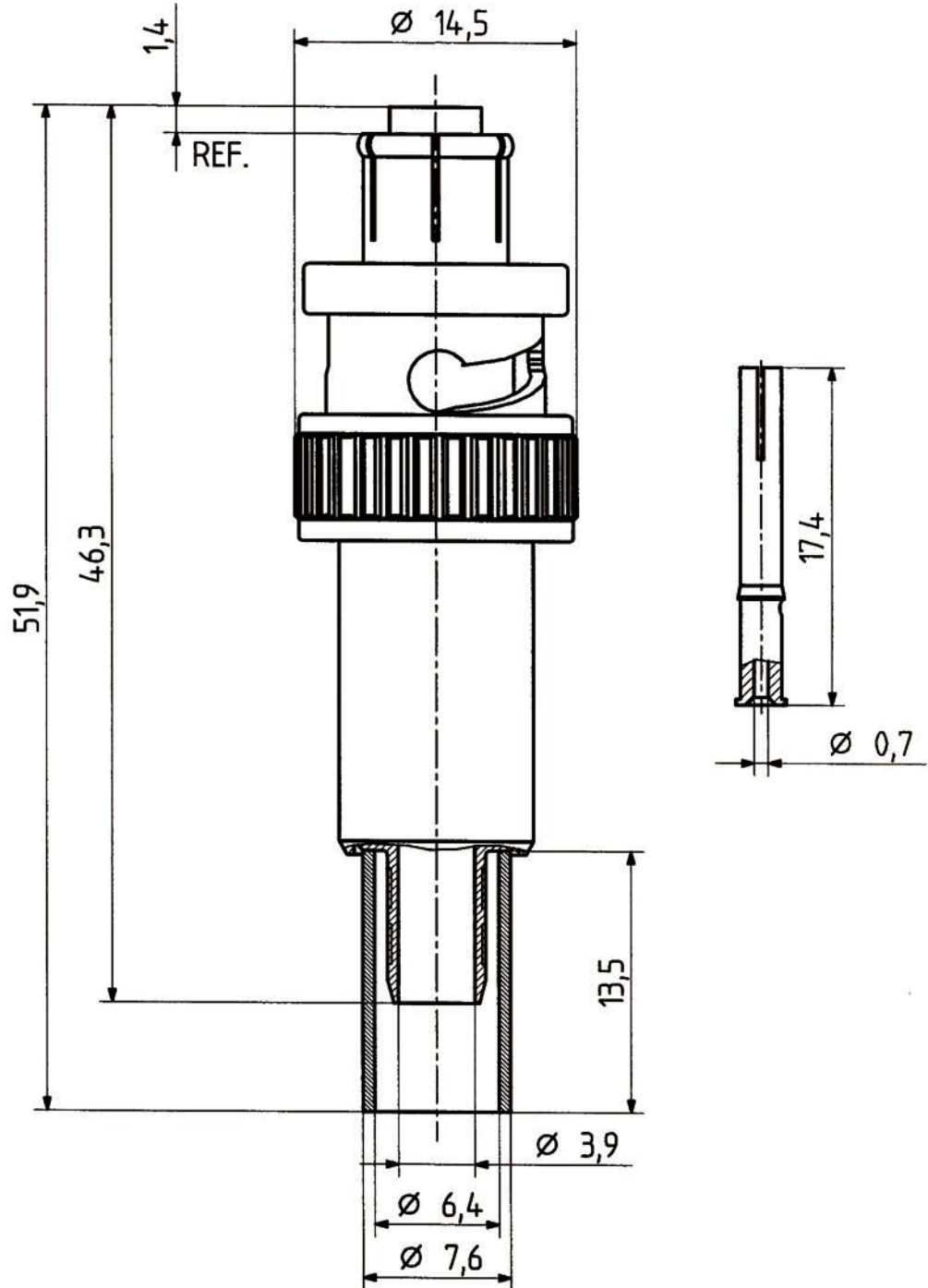
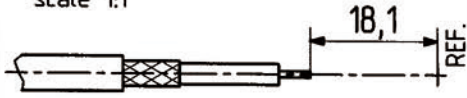


type : 11 SHV-50-4-1

	date	sign
drawn	13.06.02	4952/srm
checked	13.06.02	4953/kaun
approved	13.06.02	4950/kaun

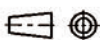
cable shortening dimension

scale 1:1



scale

3:1



www.rf-connector-china.com

dimensions in mm

drawing number

4.13.25674

OZ drawing : OZ.

Index

b