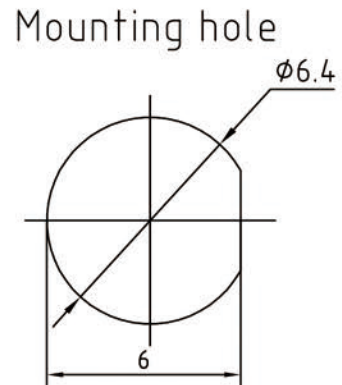
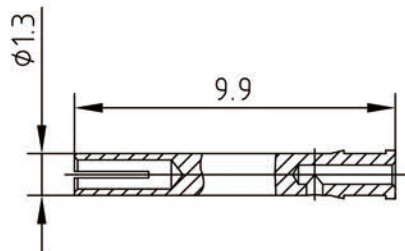
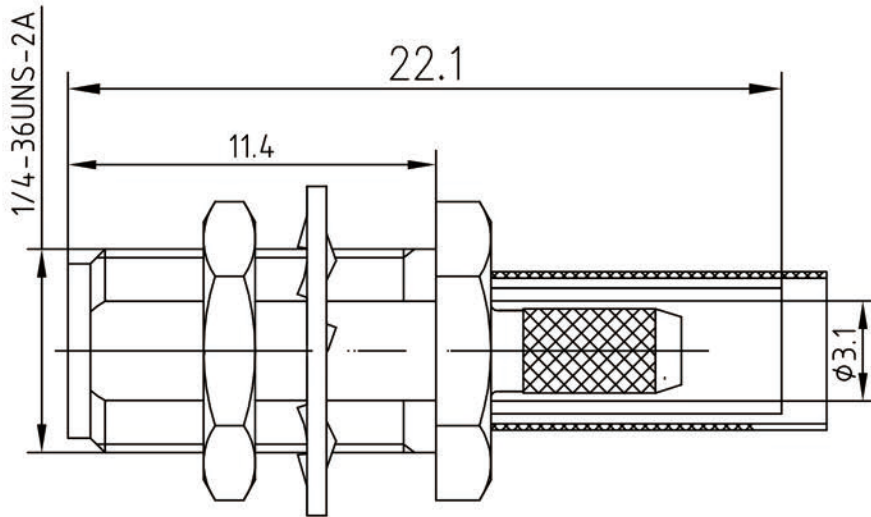


TRL110902E



Notes:

Electrical characteristics

1. Impedance:  $50\Omega$
2. Working voltage:  $\leq 335V$
3. Insulation resistance:  $\geq 5000M\Omega$
4. Dielectric strength:  $1000V$
5. Contact resistance: Center contact  $\leq 3M\Omega$   
Outer contact  $\leq 2.5M\Omega$

Material&Finish

Inner Contact: gold plated over Beryllium-copper.

Outer Contact: nickel plated over brass.

Insulators: Teflon



Scale

1:1

Name

Date

Designed

Michael Tang 17-Aug-10

Checked

Jason Cai 17-Aug-10

Approved

Teresa 17-Aug-10

SMA-KY3

SMA female B/H conn. for  
RG174 Cable

UNLESS OTHERWISE SPECIFIED  
DIMENSIONS ARE mm, TOLERANCES ARE:  
FRACTIONS DECIMALS ANGLES  
.X± .15 ±1°  
.XX± .05  
.XXX±



www.rf-connector-china.com