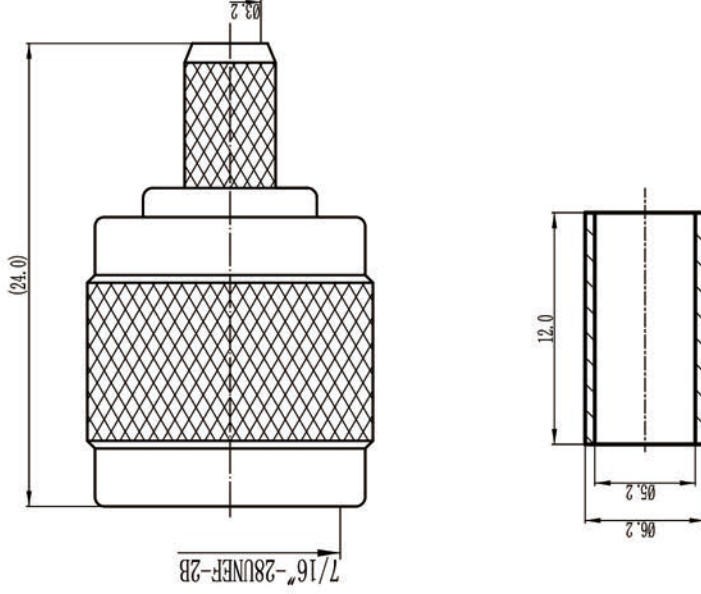


This document contains proprietary information and such information may not be disclosed to others for any purposes, not used for sales/marketing/procurement purposes without written permission

- 1 Electrical
 - 1.1 Impedence: 50 Ω
 - 1.2 Frequency: 0~6GHz
 - 1.3 Dielectric withstanding voltage: 1500V(volts RMS)
 - 1.4 Center contact resistance: ≤ 15MΩ
 - 1.5 Outer contact resistance: ≤ 0.2MΩ
 - 1.6 Insulation resistance: ≥ 5000MΩ

- 2 Environmental&Mechanical
 - 2.1 Temperature range: -55℃~125℃
 - 2.2 RoHs Compliant
 - 2.3 Durability: >500 cycles

- 3 Materials&plating
 - 3.1 Body: Brass, nickel plating
 - 3.2 Insulator: Teflon
 - 3.3 Contact Pin: Phosphor bronze, gold plating
 - 3.4 Coupling nut: Brass, nickel plating
 - 3.5 Gasket: Silicon rubber(red color)





Notes:

1. ALL SPECIFICATIONS ARE SUBJECT TO CHANGE NOTICE AT ANY TIME
2. CUSTOMER OUTLINE DRAWING FOR REFERENCE ONLY

DRAWN: T. Shihua 12/07/11
ENGINEER: C. Tao 12/07/11
APPROVED: W. Qiang 12/07/11
TOLERANCES UNLESS OTHERWISE SPECIFIED
X ±0.50
.X ±0.20
.XX ±0.10
ANGLES ±1°

TITLE:	
RF Coaxial Connector	www.rf-connector-china.com
Reverse Polarity TNC male Connector For LMR200 Cable	
PART NO: (RP) TNC-K200Y	

	
	DIMENSION IN MILLIMETERS (mm)
SIZE: A4	SCALE: 1:1
SHEET: 1/1	REV: A

REV	DESCRIPTION OF REVISION	ECN NO.	BY	DATE	APPROVED
A	Initial Release		T. Shihua	12/7/11	12/7/11