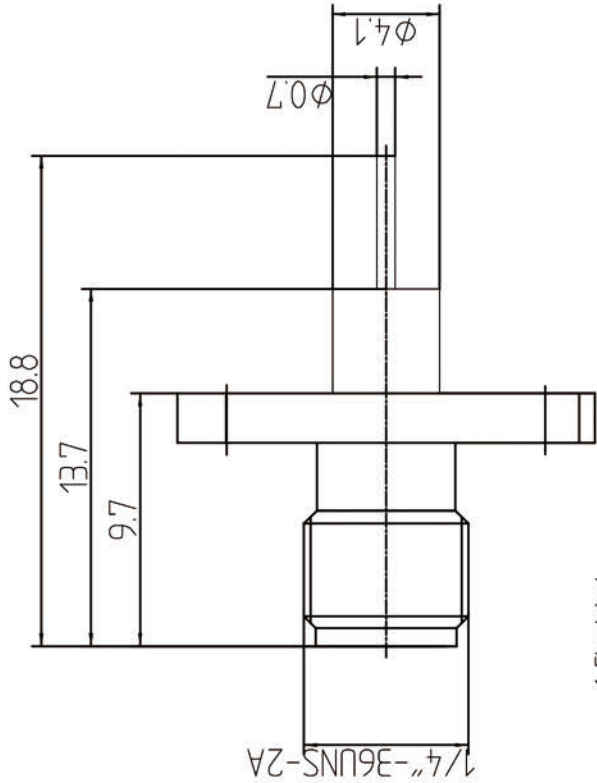


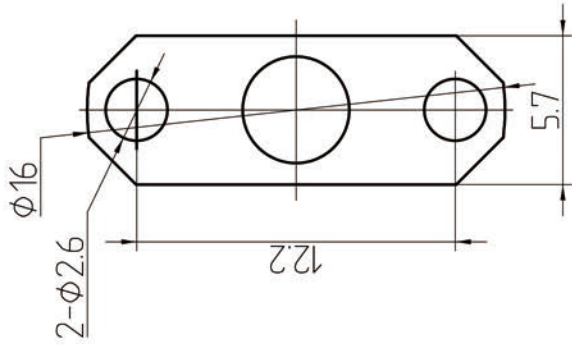
This document contains proprietary information and such information may not be disclosed to others for any purposes, not used for sales/marketing/procurement purposes without written permission



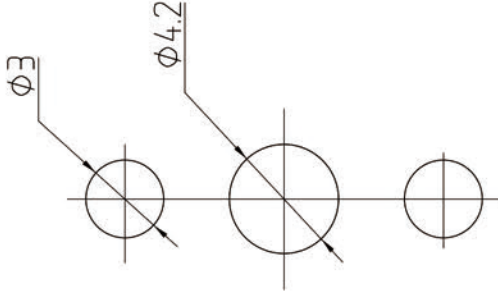
- 1 Electrical
 1.1 Impedance 50 Ω
 1.2 Frequency DC~6GHz
 1.2 Dielectric withstanding voltage 1000V(volts RMS)
 1.3 Center contact resistance ≤ 3MΩ
 1.4 Outer contact resistance ≤ 2MΩ
 1.5 Insulation resistance: ≥5000MΩ
 1.6 VSWR 1.2max

- 2 Environmental&Mechanical
 2.1 Temperature range -45℃~85℃
 2.2 RoHS Compliant
 2.3 Durability >500 cycles

- 3 Materials&plating
 3.1 Body: Brass, Gold plated
 3.2 Insulator: Teflon
 3.3 Contact Pin: Bronze, Gold plated



Mounting Hole



REV	DESCRIPTION OF REVISION	ECN NO.	BY	DATE	APPROVED
A	Initial Release		T.Haiyum	15/09/17	15/09/17

DRAWN: T. Haiyum 15/09/17

ENGINEER: C. Tao 15/09/17

APPROVED: W. Qi 12/07/08

TOLEANCES UNLESS OTHERWISE SPECIFIED

X ±0.50

.X ±0.20

.XX ±0.10

ANGLES ±1°

TITLE:

RF Coaxial Connector

SMA Female Flange Conn. Terminal

PART NO: SMA-KFD1039



www.rf-connector-china.com



DIMENSION IN MILLIMETERS (mm)

SIZE: A4

SCALE: N/A

SHEET: 1/1

REV: A

Notes:

- ALL SPECIFICATIONS ARE SUBJECT TO CHANGE NOTICE AT ANY TIME
- CUSTOMER OUTLINE DRAWING FOR REFERENCE ONLY