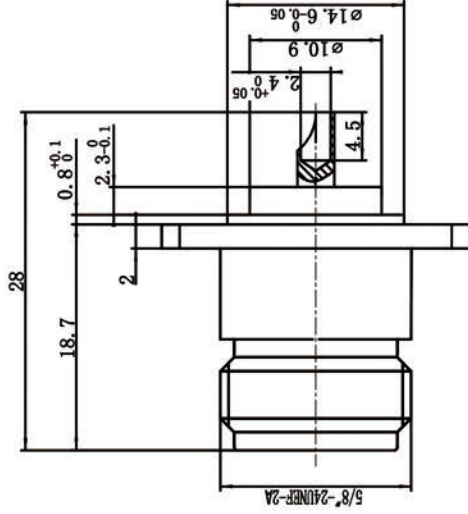
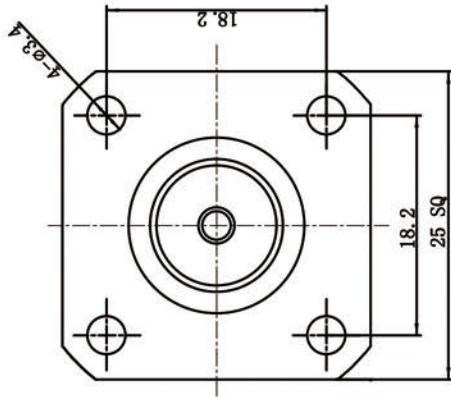


This document contains proprietary information and such information may not be disclosed to others for any purposes, not used for sales/marketing/procurement purposes without written permission

REV	DESCRIPTION OF REVISION	TEL NO.	BY	DATE	APPROVED
A	Initial Release		T. Shihua	18/7/08	18/7/08



- 1 Electrical
 - 1.1 Impedence 50 Ω
 - 1.2 Frequency DC~2GHz
 - 1.2 Dielectric withstanding voltage 1500V (volts RMS)
 - 1.3 Center contact resistance $\leq 1M\Omega$
 - 1.4 Outer contact resistance $\leq 0.2M\Omega$
 - 1.5 Insulation resistance: $\geq 5000M\Omega$
 - 1.6 VSWR 1.15:1
- 2 Environmental&Mechanical
 - 2.1 Temperature range -40°C~+125°C
 - 2.2 RoHS Compliant
 - 2.3 Durability >500 cycles
- 3 Materials&plating
 - 3.1 Body: Brass, Tri-Metal plated
 - 3.2 Insulator: Teflon
 - 3.3 Contact Pin: Beryllium-copper, Gold plated

Notes:

1. ALL SPECIFICATIONS ARE SUBJECT TO CHANGE NOTICE AT ANY TIME
2. CUSTOMER OUTLINE DRAWING FOR REFERENCE ONLY

DRAWN: T. Shihua 18/7/08

ENGINEER: C. Tao 18/7/08

APPROVED: W. Qiang 18/7/08

TOLERANCES UNLESS OTHERWISE SPECIFIED

X ± 0.50

.X ± 0.20

.XX ± 0.10

ANGLES $\pm 1^\circ$

TITLE:

RF Coaxial Connector

N Female Connector Flange Mounting

PART NO: N-50KF-B

3



www.rf-connector-china.com



DIMENSION IN MILLIMETERS (mm)

SCALE: A4

SIZE: N/A

SHEET: 1/1

REV: A

2

1

4

3

2

1

4